

INSTALLATION, SERVICE AND MAINTENANCE  
INSTRUCTIONS

ИНСТРУКЦИЯ ПО УСТАНОВКЕ И  
ТЕХНИЧЕСКОМУ ОБСЛУЖИВАНИЮ

# HLR Rotary Lobe Pump РОТОРНЫЙ НАСОС HLR



c/Telers, 54 Aptdo. 174  
E-17820 Banyoles  
Girona (Spain)



Original Manual  
01.504.30.00EN  
ED.2010/09



# EC DECLARATION OF CONFORMITY

(according to Directive 2006/42/CE, annex II, part A)

Manufacturer:

C/ Telers, 54  
17820 Banyoles (Girona) - SPAIN

Hereby declares, that the product:

**РОТОРНЫЙ НАСОС**

**HLR**

Name

Type

conforms to the specifications of the Council Directive:

**Machine Directive** 2006/42/CE, and complies with the essential requirements of the Directive and Harmonised Standards:

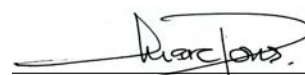
UNE-EN ISO 12100-1/2:2004  
UNE-EN 809/AC:2001  
UNE-EN ISO 13857:2008  
UNE-EN 953:1997  
UNE-EN ISO 13732-:2007

**Low Voltage Directive** 2006/95/EC (what repeal 73/23/CEE Directive), and are conforms with UNE-EN 60204-1:2006 and UNE-EN 60034-1:2004

**EMC Directive** 2004/108/EC (what repeal 89/336/CEE Directive), and are conforms with UNE-EN 60034-1:2004

In compliance with the Regulations **(CE) n° 1935/2004**, relating to materials and articles intended to come into contact with foodstuff (repeal Directive 89/109/CEE), the materials in contact with the product do not transfer their components in quantities which may jeopardise consumer's health or safety

Banyoles, 2014

  
Marc Pons Bague Technical Manager

---

# 1. Safety

## 1.1. INSTRUCTION MANUAL

This instruction manual contains information on the reception, installation, operation, fitting, stripping and maintenance for the HLR pump.

The information given herein is based on the most up-to-date data available.

INOXPA reserves the right to modify this instructions manual without having to give prior notice.

## 1.2. START-UP INSTRUCTIONS

This instruction manual contains vital and useful information for properly operating the pump and for keeping it in good running condition.

Not only should the safety instructions set forth in this chapter be carefully read before putting the pump into operation, but those concerned must also familiarise themselves with the operating features of the pump and strictly adhere to the instructions given herein. It is extremely important that these instructions be kept in a set place near the installation.

## 1.3. SAFETY

### 1.3.1. Warning signs



Danger for people in general.



Danger of injury caused by rotating parts of the equipment.



Danger! Electricity.



Danger! Caustic or corrosive agents.



Danger! Suspended loads.



Danger to the proper operating of the machine.



Obligation to ensure safety at work.



Use of safety goggles obligatory.

### 1.4. GENERAL SAFETY INSTRUCTIONS



Please read the instruction manual carefully before installing and commissioning the pump. Should you have any doubts or queries, contact INOXPA.

#### 1.4.1. During the installation



You must always bear in mind the *Technical Specifications* set forth in Chapter 8.

Do not put the pump into operation before connecting it to the pipes.

Do not put the pump into operation if the rotor case of the pump has not been fitted and the lobe rotors fixed in the pump.

Check that the motor/drive specifications are correct, especially if there is a special risk of explosion due to the work conditions.



During the installation procedure, all the electrical work must be carried out by duly authorised personnel.

#### 1.4.2. During operation



You must always bear in mind the *Technical Specifications* set forth in Chapter 8. The limit values that have been set must NEVER be exceeded.

NEVER touch the pump or pipes whenever the pump is being used to transfer hot liquids or during the cleaning procedure.



The pump has moving parts. Do not put your fingers into the pump when it is operating.



**NEVER** work with the suction and the delivery valves shut off.

**NEVER** directly sprinkle the electric motor with water. Standard motor protection is IP-55: dust and water sprinkling protection.

#### 1.4.3. During maintenance



You must always bear in mind the *Technical Specifications* set forth in Chapter 8.

**NEVER** strip the pump down until the pipes have been drained. Remember that there will always be some liquid left in the rotor case (if it has not been fitted with a drain). Always remember that the liquid that has been pumped may be dangerous or subject to high temperatures. For situations of this type, please consult the prevailing regulations in the country in question.

Do not leave loose parts on the floor.



**ALWAYS** turn the power supply to the pump off before embarking on maintenance work. Take out the fuses and disconnect the wires from the motor terminals.

All electrical work must be carried out by duly authorized personnel.

#### 1.4.4. In accordance with the instructions

Any failure to comply with the instructions could lead to a hazard for the operators, the atmospheric conditions of the room, and the machine, and it could lead to a loss to any right to make a claim for damages.

Such non-compliance could bring with it the following risks:

- Important operating failures of the machine / plant.
- Failure to comply with specific maintenance and repair procedures.
- Potential electrical, mechanical and chemical hazards.
- Atmospheric conditions in the room could be hazardous due to the release of chemical substances.

#### 1.4.5. Warranty

We wish to point out that any warranty issued will be null and void and that we are entitled to an indemnity for any civil liability claim for products which might be filed by third parties if:

- Operation and maintenance work has not been done following the corresponding instructions; the repairs have not been made by our personnel or have been made without our written authorization;
- Modifications are made to our material without prior written authorization;
- The parts or lubricants used are not original INOXPA parts/lubricants;
- The material has been improperly used due to error or negligence or has not been used according to the indications and the intended purpose.
- The parts of the pump have been damaged as a result of having been exposed to strong pressure as there was no pressure relief valve.

The General Delivery Terms which you have already received are also applicable.



**No modification can be made to the machine without the prior consent of the manufacturer. For your safety, use spare parts and original accessories. The use of other parts exempts the manufacturer from any and all responsibility.**

**Any change in operating conditions can only be done with the prior written consent of INOXPA.**

In the event of doubt or should you require a fuller explanation on particular data (adjustment, assembly, disassembly...), please do not hesitate to contact us

---

# 2. Index

<b>1. Safety</b>	
1.1. Instruction manual .....	3
1.2. Start-up instructions .....	3
1.3. Safety .....	3
1.4. General safety instructions .....	3
<b>2. Index</b>	
<b>3. General Information</b>	
3.1. Description.....	6
3.2. Operating principle .....	6
3.3. Application .....	6
<b>4. Installation</b>	
4.1. Pump reception .....	8
4.2. Transport and storage .....	8
4.3. Location.....	9
4.4. Coupling .....	9
4.5. Pipes .....	10
4.6. Secondary piping .....	11
4.7. Pressure relief valve .....	12
4.8. Electrical installation .....	12
<b>5. Start-up</b>	
5.1. Start-up .....	13
5.2. Pressure By-pass .....	13
<b>6. Operating Problems</b>	
<b>7. Maintenance</b>	
7.1. General maintenance.....	16
7.2. Storage.....	16
7.3. Cleaning .....	17
7.4. Pump disassembly .....	18
7.5. Pump assembly .....	21
7.6. Lobe adjustment .....	24
7.7. Mechanical seal assembly and disassembly .....	26
<b>8. Technical Specifications</b>	
8.1. Technical specifications.....	28
8.2. Weights .....	30
8.3. HLR dimensions.....	31
8.4. pump with flushing dimensions .....	33
8.5. HLR 0 .....	34
8.6. HLR 1 .....	36
8.7. HLR 2 .....	38
8.8. HLR 3 .....	40
8.9. HLR 4 .....	42

---

## 3. General Information

### 3.1. DESCRIPTION

The HLR rotary lobe pumps by INOXPA are part of our wide range of positive displacement rotary lobe pumps for viscous liquids.

The following models exist in the hygienic rotary lobe pump range:

- The HLR pump normal flow rate suitable for differential pressure of up to 12 bar.
- The HLR with wider lobes, delivers a higher flow rate, and is suitable for differential pressure of up to 7 bar.

The HLR model has been specially developed to respond to all hygienic requirements in the Bio-Pharm and Food industries. As regards hygiene, reliability and sturdiness, the complete range of rotary lobe pumps satisfies all requirements set by the aforesaid industries.

Its modular design enables optimal part interchange between the different pumps.

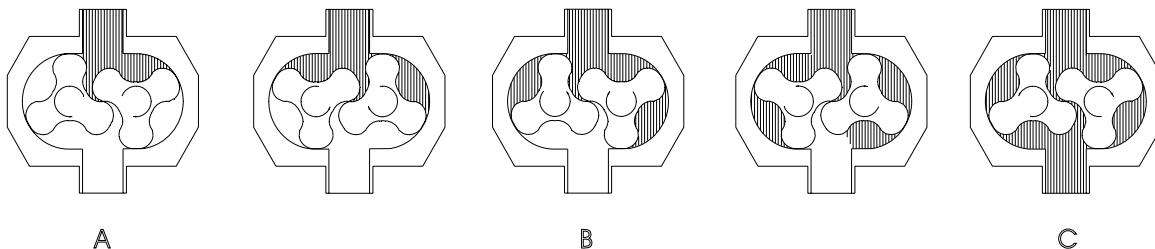
The rotary lobe pumps are positive displacement pumps. Owing to the contact between the internal parts, the pressure variations, etc. they make a louder noise than centrifugal pumps. This noise must be taken into consideration when installing these pumps.

The HLR rotary lobe pumps by INOXPA have been certified by EHEDG and designed so that they meet the requirements of 3A Sanitary Authority.

This equipment is suitable for use in food processing applications with strict hygienic requirements.

### 3.2. OPERATING PRINCIPLE

The rotary lobe pump is a positive displacement rotary pump. The left lobe (except in the case of pump size 0) is driven by the driving shaft. The right lobe (except in the case of pump size 0) is located on the driven shaft, and is driven via a helical gear. Both lobes rotate in synchronism without one touching the other. When the pump is running they displace a set volume of liquid. Figure below shows how a rotary lobe pump operates.



**A:** When the lobes rotate, the space on the suction side increases because one lobe moves away from the other, thus causing a partial vacuum that draws the liquid into the pumping chamber.

**B:** Each lobe void is filled consecutively as the shafts rotate and the liquid is displaced towards the discharge side. The small clearances between the lobes, and between the lobes and the walls of the rotor case, duly cause the spaces to be rather well closed.

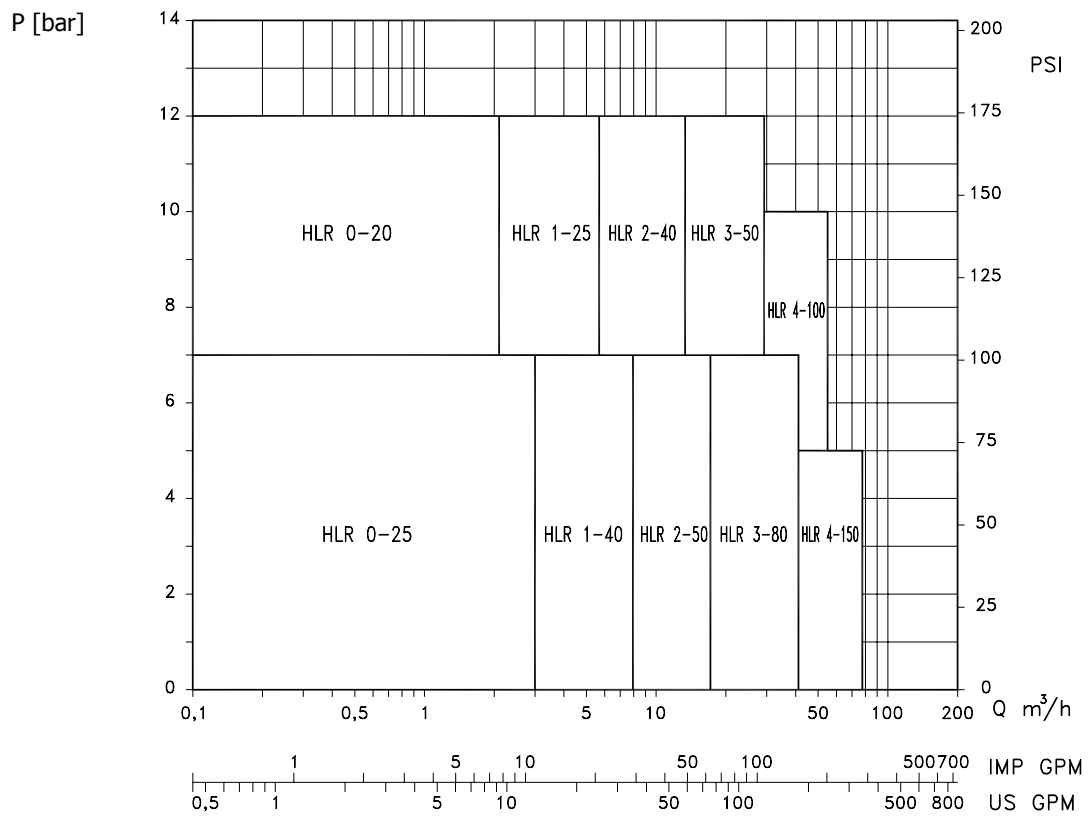
**C:** The rotor case is completely full and the liquid leaks through the meshing of the lobes, knocking against the space walls so as to thus complete the pumping action.

### 3.3. APPLICATION

The main advantage of the INOXPA HLR rotary lobe pump is its capacity to pump a great variety of viscous liquids, from 1 mPa.s up to 100.000 mPa.s

Furthermore, it is capable of pumping liquid products that require very careful handling and liquids that contain soft solids thus causing only a minimum degradation of same.

### 3.3.1. Field of application



The range of application for each type of pump is limited. The pump was selected for a given set of pumping conditions when the order was placed. INOXPA shall not be liable for any damage resulting from the incompleteness of the information provided by the purchaser (nature of the fluid, rpm, etc.).

# 4. Installation

## 4.1. PUMP RECEPTION



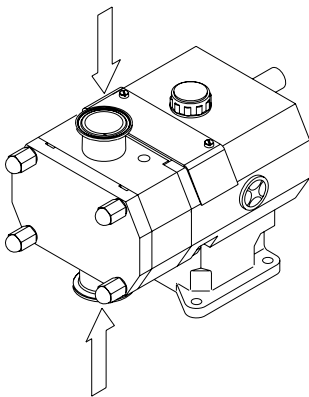
INOXPA is not responsible for any deterioration of the material as a result of its transportation or unpacking. Visually check that the packing has not suffered any damage.

The pump will be accompanied by the following documentation:

- Dispatch notes.
- Pump Instruction and Service Manual.
- Drive Instruction and Service Manual (\*).

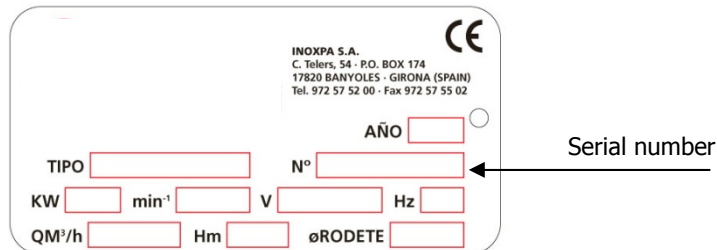
(\*) If the pump has been supplied with a drive from INOXPA.

Unpack the pump and check the following:



- The pump suction and delivery connections, removing the remains of any packing material.
- Check that the pump and the motor have not suffered any damage.
- Should the pump not be in proper condition and/or does not have all the parts, the haulier must draw up a report as soon as possible with regard to the same.

### 4.1.1. Pump identification and marking



Pump plate

## 4.2. TRANSPORT AND STORAGE



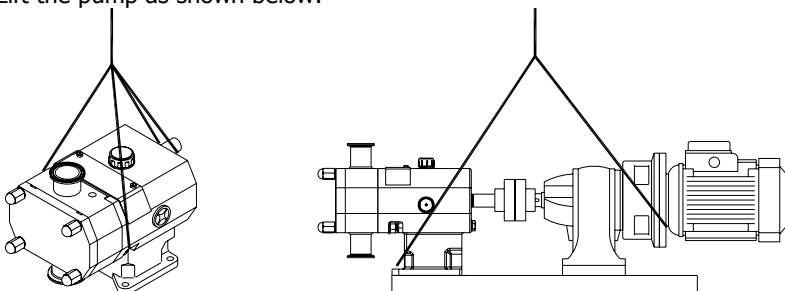
HLR pumps and pumping units are often too heavy to be handled manually. Use an adequate means of transport.

Use the points which are indicated in the drawing for lifting the pump.

Only authorized personnel should transport the pump.

Do not work or walk under heavy loads.

Lift the pump as shown below:



- Always use two support points placed as far apart as possible.
- Secure the support so that it will not move.
- See chapter 8. *Technical Specifications* to consult dimensions and weights.



### 4.3. LOCATION

- Position the pump as near as possible to the suction tank, and whenever possible below the level of the liquid.
- Place the pump in such a way that there is enough space around it to provide access both to the same and to the motor. (See Chapter 8. *Technical Specifications* to consult dimensions and weights).
- Place the pump on a level and flat surface.
- The basement must be rigid, horizontal and against any vibration.



**Install the pump in such a way that it can be properly ventilated. If the pump is to be installed outside, it must be done so under cover. Its positioning must enable easy access for any inspection and maintenance operations that may need to be carried out.**

#### 4.3.1. Foundation

Install the pump base so that the drive and pump are level and well supported. Therefore the pump unit should be installed on a base plate –according to DIN 24259-, or on a frame, both placed exactly level on the foundation. The foundation must be hard, level, flat, vibrations free ...to prevent base distortion (to keep the alignment pump –drive guaranteed while commissioning).

To install the pump unit on the foundation proceed as follows:

- Make holes in the foundation to fit foundation bolts. This is unnecessary when expanding screws are used instead of foundation bolts.
- Place base plate or frame with the aid of shims horizontally on the foundation.
- Grout
- When the grout has entirely hardened the pump unit can be placed on the base plate or the frame. Tighten the nuts on the foundation bolts carefully.

For other foundations consult INOXPA.

### 4.4. COUPLING

For the couplings selection and assembly consult to the supplier manual. Sometimes the torque of the positive displacement pumps can be high enough. Therefore, a coupling have been chosen 1.5 to 2 the adequate torque.

#### 4.4.1. Alignment

The pump and motor shaft of complete units have been accurately pre-aligned in our factory.

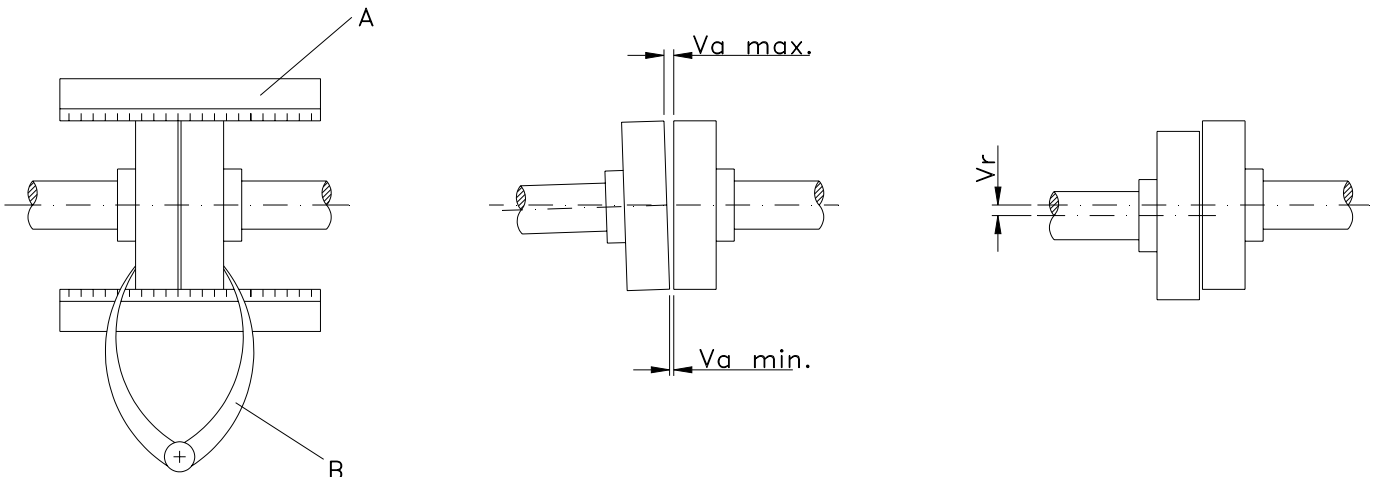


**After installations of the pump unit, the pump and motor shaft should be re-aligned.**

- After unit is installed recheck alignment of pump and motor shaft and alignment of piping. Realign if necessary.
- In the case of applications dealing with high temperatures the pump can be operated temporarily at its working temperature. Then recheck alignment pump - piping.

Place a straight-edge (A) on top of the coupling: the straight should make contact with both halves of the coupling over their entire length. See figure.

Repeat the check, but this time on both sides of the coupling near the shaft. For the sake of accuracy, this check should also be done using an outside caliper (B) at two diametrically opposite points on the outside surfaces of the two halves of the coupling.



## Maximum alignment deviations:

Outside diameter of the coupling [mm]	$V_{a_{min}}$ [mm]	$V_{a_{max}}$ [mm]	$V_{a_{max}} - V_{a_{min}}$ [mm]	$V_r$ [mm]
70 - 80	2	4	0,13	0,13
81 - 95	2	4	0,15	0,15
96 - 110	2	4	0,18	0,18
111 - 130	2	4	0,21	0,21
131 - 140	2	4	0,24	0,24
141 - 160	2	6	0,27	0,27
161 - 180	2	6	0,3	0,3
181 - 200	2	6	0,34	0,34
201 - 225	2	6	0,38	0,38

## 4.5. PIPES

- In general, suction and delivery pipes should be fitted in straight stretches, with the minimum amount of elbows and accessories, in order to reduce, as far as possible, any head loss that might be produced by friction.
- Make sure that the pump ports are well aligned with respect to the piping and that they are similar in diameter to that of the pipe connections.
- Position the pump as near as possible to the suction tank, and whenever possible below the level of the liquid or even lower with respect to the tank in order for the static suction head to be at its maximum.
- Place brackets for the piping as near as possible to the suction and delivery ports of the pump.

### 4.5.1. Shut-off valves

The pump can be isolated for the purpose of carrying out maintenance work. To this end, shut-off valves should be fitted at the pump's suction and delivery connections.



**These valves must ALWAYS be open whenever the pump is operating.**

### 4.5.2. Self-priming process

In general terms --if the self-priming process is followed-- the pump ought to contain sufficient liquid to fill the internal recesses and the void spaces thus enabling the pump to create a pressure difference.

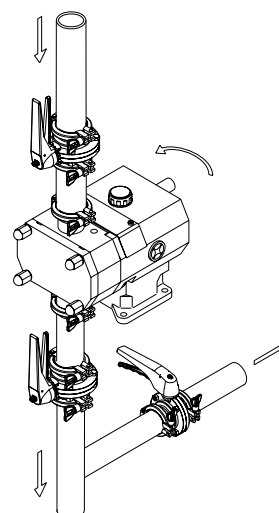
However, if low viscosity fluids are to be pumped, a foot valve of the same or greater diameter as that of the suction pipe should be installed; alternatively, the pump can be installed with a "U" shaped piping.



**The use of a foot valve is not recommended for pumping viscous liquids.**

- In order to eliminate air and gases from the suction pipe, the counter-pressure on the discharge pipe should be reduced. When the self-priming process is used, the pump's start-up should be done by opening and emptying the discharge pipe which allows the air and gases to escape at a low counter-pressure.
- Another possibility involves long pipes or when a check valve is installed in the discharge pipe; it is also possible to install a by-pass with a shut-off valve on the discharge side of the pump. This valve shall be opened in the case of priming and will allow air and gases to escape at a minimum counter-pressure.
- The by-pass should not lead back to the intake orifice but to the supply tank instead.

BY-PASS



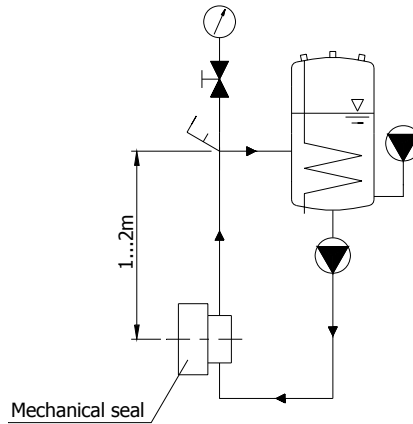
#### 4.5.3. Barrier fluid with pressure tank

As the HLR Double Mechanical seal is of balanced design, the installation of a pressure tank is not necessary. Pressure tank is only necessary if the pumped liquid, process safety rules... requires it.



**Install ALWAYS the pressure tank between 1 and 2 meters above the mechanical seals. See the figure below.**

**Connect ALWAYS the barrier fluid input connection with the bottom chamber seal connection. So, the barrier fluid outlet will be carried out by the top chamber connection. See the figure below**



Pressure tank connection lay out

To obtain further information about the pressure tank (installation, operation, maintenance, ...), consult the instruction manual supplied by the manufacturer.

#### 4.6. SECONDARY PIPING

##### 4.6.1. Quench

If the seal requires flush media, the media supply and the purchase and installation of piping, valves ... for the media are not the responsibility of INOXPA.

The flush shaft seal option is available on all seal types. Use the sectional drawings of the HLR seal options to purchase additional parts.



**Attention should be given to the compatibility of the handled liquid with the flush media. Choose the sealing liquid so that unwanted chemical reactions are avoided. Also check the compatibility of the flush media with seal elastomers.**

HLR rotor cases have female threaded inlet and outlet connections and are dependent upon frame of the pump and type of quench system employed.

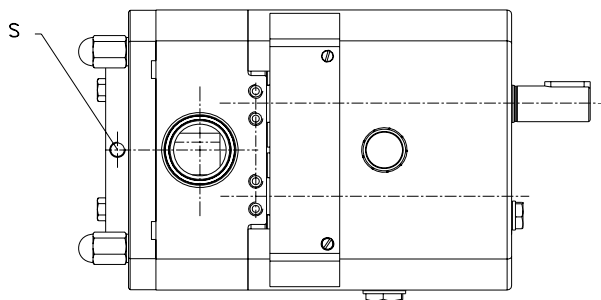
##### 4.6.2. Liquid flush media

Use a flush media which is filtered free from impurities to obtain maximum service life of the seal. If the product is sticky or crystalline then use media which is able to dissolve the product.

Connect the quench so that the inlet is at the bottom and outlet is at the top. This will make a better evacuation of air or gases possible.

##### 4.6.3. Heating / cooling jackets

Heating / cooling jackets (S) are available on the front cover. Heating or cooling media can be provided via connections according to the next figure.



## 4.7. PRESSURE RELIEF VALVE



The positive displacement lobe pumps must be protected from excess pressure when they are operating. Consequently, all the HLR pumps can be fitted with a stainless steel pressure relief valve or a pressure by-pass

### 4.7.1. Protection

This valve protects the pump and prevents excessively high pressure arising in the circuit. It reduces the differential pressure ( $\Delta p$ ) between suction and discharge, but not the maximum pressure within the plant.



Do not use the pressure relief valve to protect the system from excess pressure. It is designed to protect the pump only as it is not a safety outlet.

### 4.7.2. Operation principle

The pressure by-pass valve is located in the rotor case and prevents excess pressure arising inside the pump. For example, when the pump's discharge port is clogged and the liquid cannot be pumped out, too high a pressure can cause serious damage to some of the pump's parts. The pressure relief valve opens a passage from the pump's discharge side to its suction side: an escape route, redirecting the flow again to the suction side whenever specifically high pressure levels are reached. The by-pass is effective in both directions of rotation (only front cover assembly).



If the relief valve operates, this will mean that the equipment is not working properly. The pump should be disconnected immediately. Identify and solve the problem before re-starting the pump.



Remember that the pressure relief valve is not able to be used to regulate the flow rate.

The pressure relief valve can be adjusted to any determined pressure, according to the type of pump being used.

## 4.8. ELECTRICAL INSTALLATION



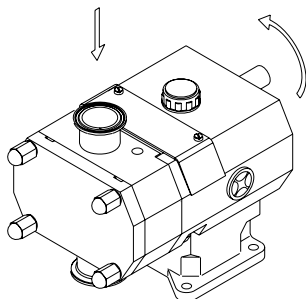
Leave the connecting of the electrical motors to qualified personnel. Take the necessary measures to prevent any breakdowns in the connections and wires.



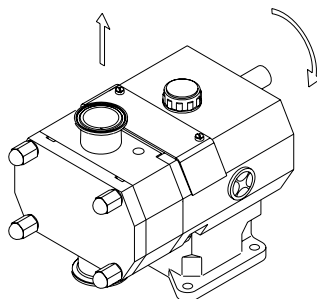
The electrical equipment, the terminals and the components of the control systems may still carry an electric charge even when disconnected. Contact with them may put the safety of operators at risk, or cause irreparable damage to the material.

Before manoeuvring the pump, make sure that the electric box is switched off.

- Connect the motor in accordance with the instructions supplied by the manufacturer of the same.
- Check the direction of the rotation (see the signalling label on the pump).
- Start the pump motor briefly. Make sure the pumping direction is the right one. If the pump operates in the wrong direction it may cause severe damage.



Pumps size 1, 2, 3, and 4



Pumps size 0



Check ALWAYS the direction of the motor's rotation with liquid inside the pump.

For the models with sealing chamber, make sure always that it is filled of liquid before checking the rotating direction.

---

# 5. Start-up



Before putting the pump into operation read carefully the instructions on installation given in Chapter 4. *Installation*.

## 5.1. START-UP



Read Chapter 8. *Technical Specifications* carefully. INOXPA will not assume responsibility for any improper or incorrect use of the equipment.



Do not touch the pump or the piping while it is pumping products at a high temperature.

### 5.1.1. Checks to be carried out before putting the pump into operation

- Completely open the pipes' suction and delivery shut-off valves.
- Check oil level of the pump. Add correct grade of oil as necessary to maintain level in center of oil sight glass (In the case of first start-up: pumps are shipped with oil in the gearbox).
- If the liquid fails to flow toward the pump, fill it with the liquid to be pumped.



The pump must **NEVER** rotate without fluid inside it.

- Check that the power supply matches the rating indicated on the motor plate.
- Check that the direction of rotation of motor is the right one.
- If the pump has a single or double mechanical seal with buffer or barrier fluid, mount the auxiliary connection corresponding to the values indicated in Chapter 8, *Technical Specification*.

### 5.1.2. Checks to be carried out on putting the pump into operation

- Check to make sure that the pump is not making any strange noises.
- Check to see if the absolute inlet pressure is sufficient, in order to avoid cavitations in the pump. Consult the curve for the minimum required pressure above the steam pressure (NPIPr).
- Monitor the delivery pressure.
- Check that there are no leaks in the sealed areas.



A shut-off valve should not be used in the suction pipe to regulate the flow rate. It must be completely open during operation.



Monitor motor consumption in order to avoid a circuit overload.

Reduce flow and motor power consumption by reducing motor speed.

## 5.2. PRESSURE BY-PASS

When pump has a pressure by-pass, pump only can rotate in one direction. To reverse the direction of the pump's rotation, the assembly of the by-pass must also be reversed.

The valve's opening pressure depends on the fluid to be pumped, its viscosity, its rpm ..., and so before starting-up the pump, the operator ought to adjust the pressure relief valve's opening pressure.



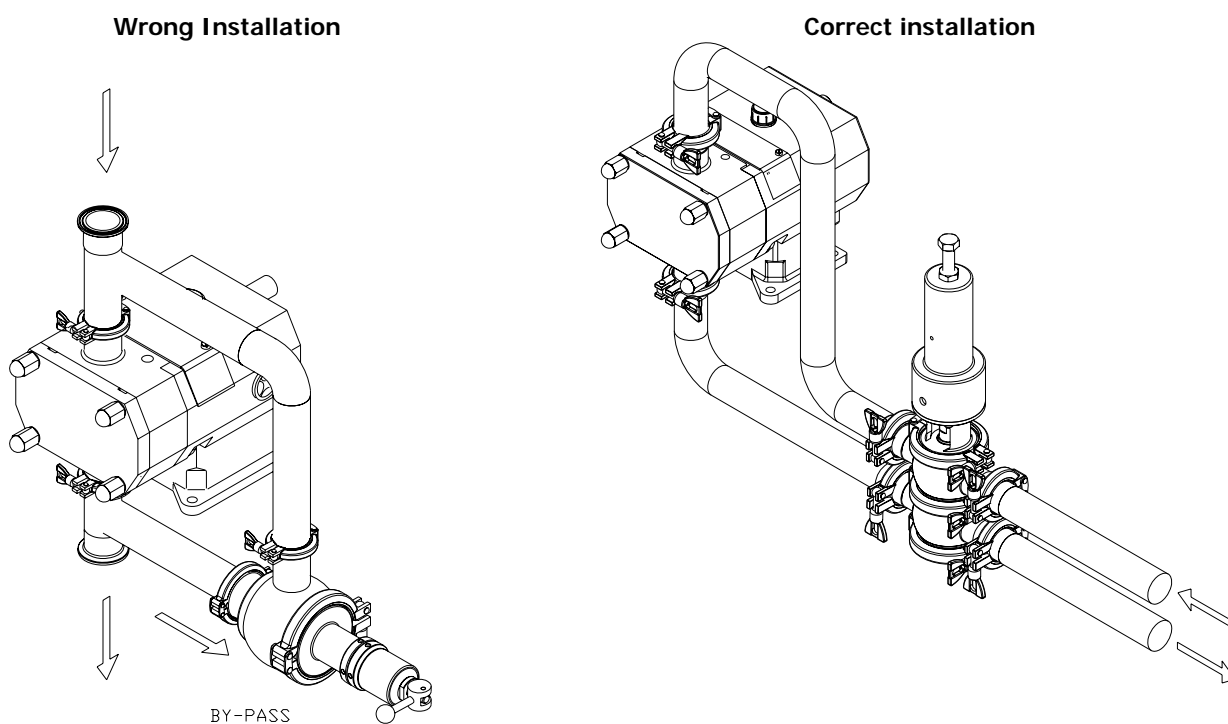
**When an overflow valve or a pressure bypass is installed, the valve is adjusted to the maximum working pressure of the pump. The end user must adjust the valve to the correct pressure. When an overflow valve or a pressure bypass does not operate properly, the pump must immediately be removed from service for repair. The valve must be examined by the INOXPA technical assistance personnel.**

### 5.2.1. External Assembly

When installing a pressure relief valve, some points shall be considered:

- To avoid dead legs
- Drainability of the pump and pipeline

Please see figure below where recommended installation is shown:



Example of standard Pressure Relief Valve installation. This arrangement creates a dead leg with a large amount of product.

Example of Hygienic NCS Pressure Relief Valve installation, with air actuated rising. It allows pump and pipeline to drain, avoiding dead areas.



**When checking the relief valve also make sure the pump's pressure will NEVER exceed the pressure setting + 2 bar.**



**When the relief valve does not work properly, the pump must be taken out of service immediately. The valve must be inspected by an INOXPA service technician.**

## 6. Operating Problems

The table given below provides solutions to problems that might arise during pump operation. With respect to the same, it is assumed that the pump has been properly installed and has been correctly selected for the application in question. Should there be a need for technical service please contact INOXPA.

Operating problems	Probable causes
Motor Overload	8, 9, 12, 16, 20, 21, 22, 23, 24, 26.
Insufficient discharge flow rate	2, 4, 5, 7, 8, 9, 10, 11, 13, 14.
No pressure on the discharge side	1, 2, 3, 6, 7.
Irregular discharge flow rate/pressure	2, 4, 5, 6, 9, 12.
Noise and vibrations	2, 4, 5, 6, 7, 8, 9, 11, 12, 13, 16, 19, 20, 21, 22, 23, 24, 25, 26.
The pump gets clogged	8, 9, 11, 16, 19, 20, 21, 22, 24, 25, 26.
Overheating of pump	7, 8, 9, 11, 12, 16, 20, 21, 22, 23, 24, 26.
Abnormal wear	4, 5, 11, 15, 16, 19, 24, 25.
Leak through mechanical seal	17, 18.

Probable causes	Solutions
1 Wrong rotation direction	Invert the rotation direction
2 Insufficient NPIP	Increase available NPIP: <ul style="list-style-type: none"> <li>• Rise the suction tank</li> <li>• Lower the pump</li> <li>• Reduce the speed</li> <li>• Increase the diameter of the suction pipe</li> <li>• Shorten and simplify the suction piping.</li> </ul>
3 Pump not purged	Purge or fill
4 Cavitation	Increase suction pressure ( see 2)
5 The pump sucks in air	Check suction pipe and all its connections.
6 Suction pipe clogged	Check the suction pipe and filter(s), if any.
7 Wrong setting of pressure relief valve	Check the pressure relief valve's setting
8 Discharge pressure too high	If necessary, reduce the loss of head by increasing the diameter of the discharge pipe
9 Viscosity of the liquid is too high	<ul style="list-style-type: none"> <li>• Reduce the pump speed</li> <li>• Reduce the viscosity, for example, by heating the liquid.</li> </ul>
10 Viscosity of liquid too low.	<ul style="list-style-type: none"> <li>• Increase the pump speed</li> <li>• Increase the viscosity, for example, by cooling the liquid.</li> </ul>
11 Temperature of liquid too high.	Reduce the temperature by cooling the liquid.
12 Pump speed too high	Reduce the pump speed
13 The lobes are worn	Replace the lobes
14 Pump speed too low	Increase the pump speed
15 Product very abrasive	Fit hardened lobe hubs
16 Worn bearings	Replace the bearings, check the pump
17 Worn or damaged mechanical seal	Replace the seal
18 O-rings and gaskets are not the right ones for the liquid	Fit the proper O-ring and gaskets; check with the supplier.
19 Worn gears	Replace and readjust the gears
20 Insufficient lubricating oil level	Fill up with oil
21 Unsuitable lubricating oil	Use an appropriate oil
22 The lobes rub	<ul style="list-style-type: none"> <li>• Reduce the temperature</li> <li>• Reduce the discharge pressure</li> <li>• Adjust the clearance</li> </ul>
23 Coupling misalignment	Align the coupling
24 Tension on the pipelines	Connect the pipelines to the pump free of tensions
25 Foreign bodies in the liquid	Insert a filter in the suction pipe
26 Pump and / or electric motor not fixed on foundation	Tighten, check that the piping has been connected stress-free and align the coupling



**If the problem persists, use of the pump must cease immediately. Contact the pump's manufacturer or its representatives.**

# 7. Maintenance

## 7.1. GENERAL MAINTENANCE

This pump, as with any other machine, needs to be maintained. The instructions contained in this manual deal with the identification and replacement of the spare parts. These instructions have been drawn up by maintenance staff and are destined for those people who are responsible for supplying spare parts.



Read carefully Chapter 8. *Technical specifications*.

All the parts or materials that are changed must be duly eliminated / recycled in accordance with the prevailing directives in each area.



ALWAYS disconnect the pump before starting out on any maintenance work.

### 7.1.1. Check the mechanical seal

Periodically check that there are no leaks in the shaft area. Should there be any leaks in the mechanical seal area, replace the same pursuant to the instructions given in the *Pump Disassembly and Assembly* sections.

### 7.1.2. Dry thread torque

Material	Dry thread torque [N.m.]								
	M5	M6	M8	M10	M12	M14	M16	M18	M20
8.8	6	10	25	49	86	135	210	290	410
A2	5	9	21	42	74	112	160	210	300

### 7.1.3. Oiling

The bearings are oiled by immersion in an oil bath.

The pumps are supplied with oil.

- Regularly check the oil level, for example, weekly or every 150 operating hours.
- The first oil change must be carried out after 150 hours of operation.
- Afterwards, it can be changed every 2500 operating hours or at least once a year when operating under normal conditions.

When change the oil: the oil sump must be filled up to the level in the middle of the peephole.



Do not pour too much oil into the sump.

Leave the pump switched off for a while and then re-check the oil level; if necessary, add a little oil.

Oils for environment temperatures of 5 to 50°C: SAE 90 or ISO VG 220

PUMP SIZE	Quantity of oil in the gear case (l.)
HLR 0	0,3
HLR 1	0,5
HLR 2	0,75
HLR 3	1,75
HLR 4	4,5

## 7.2. STORAGE

Before being stored the pump must be completely emptied of liquids. Avoid, as far as possible, the exposure of the parts to excessively damp atmospheres.



### 7.3. CLEANING

#### 7.3.1. Manual cleaning



The use of aggressive cleaning products such as caustic soda and nitric acid may give rise to skin burns.

Use rubber gloves during the cleaning process.



Always use protective goggles.

#### 7.3.2. Automatic CIP (cleaning-in-place)

If the pump is installed in a system fitted with a CIP process, there will be no need for stripping.

The recommended minimum liquid speed for an effective process of cleaning is 1,8 m/s (minimum Re > 100 000 at 1,0~2,5 bar).

It is recommended to run the pump during the CIP process (rotation speed ~ nominal speed at 50 Hz).

If it is not fitted with an automatic cleaning process, strip the pump pursuant to the instructions given in the section entitled Stripping and Assembly of the pump.

##### Cleaning solutions for CIP processes.

Only use clear water (chloride free) to mix with the cleaning agents:

**a) Alkaline solution:** 1% in weight of caustic soda (NaOH) to 70°C (150°F)

1 kg NaOH + 100 l. water = cleaning solution

or

2.2 l. NaOH to 33% + 100 l. of water = cleaning solution

**b) Acid solution:** 0.5% in weight of nitric acid (HNO<sub>3</sub>) to 70°C (150°F)

or

0.7 litres HNO<sub>3</sub> to 53% + 100 l. water = cleaning solution



Monitor the concentration of cleaning solutions; it could give rise to the deterioration of the pump sealing gaskets.

These solutions are given as examples and should be validated before use on an application.

In order to remove any remains of cleaning products, ALWAYS rinse the element in question with clean water after completing the cleaning process.

#### 7.3.3. Automatic SIP (sterilization-in-place)

The process of sterilization with steam is applied to all the equipment including the pump.



Do NOT start the pump during the process of sterilization with steam.

The parts/materials suffer no damage if the indications specified in this manual are observed.

No cold liquid can enter the pump till the temperature of the pump is lower than 60°C (140°F).

A flow by-pass is recommended to be used in order to assure the flow of sterile product after the pump.

##### Maximum conditions during the SIP process with steam or overheated water

- |    |                   |  |
|----|-------------------|--|
| a) | Max. temperature: | 140°C (284°F)  |
| b) | Max. time:        | 30 min   |
| c) | Cooling:          | Sterile air or inert gas                                 |
| d) | Gasket materials: | EPDM / PTFE (recommended)<br>FPM / NBR (not recommended) |

## 7.4. PUMP DISASSEMBLY

The assembly and disassembly of the pumps should only be done by qualified personnel. Make sure that the personnel read carefully this instruction manual and, in particular, those instructions which refer to the work they will perform.



**Incorrect assembly or disassembly may cause damage in the pump's operation and lead to high repair costs and a long period of down-time. INOXPA is not responsible for accidents or damages caused by a failure to comply with the instructions in this manual.**

### Preparations

Provide for a clean working environment as some parts, including the mechanical seal, require very careful handling and others have close tolerances.

Check that the parts which are used are not damaged during transport. When doing this, you need to inspect the adjustment edge, the butted faces, the tight fit, burrs, etc.

After each disassembly, carefully clean the parts and check for any damage. Replace all damaged parts.

### Tools

Use the proper tools for assembly and disassembly operations. Use them correctly.

### Cleaning

Before disassembling the pump, clean it on the outside and on the inside.

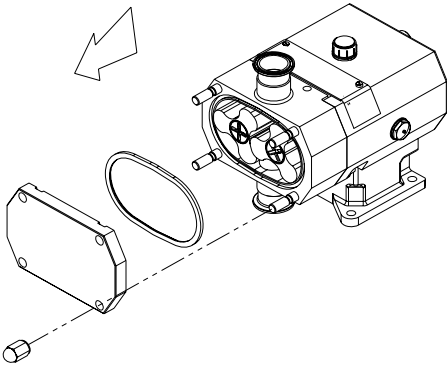


**NEVER clean the pump by hand when it is running**

#### 7.4.1. Pump cover disassembly

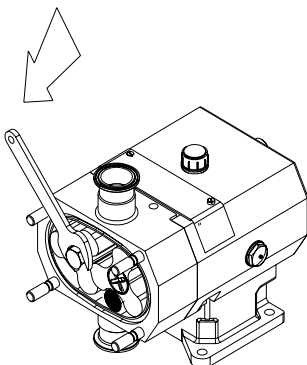


**CAUTION! Liquid may spill from the rotor case when removing the pump cover.**



- Close the suction and delivery valves.
- Remove the cap nuts (45). Indents have been provided at four points around the perimeter of the pump cover (03) to assist, if necessary, in removing it from the rotor case (that is, with the help of a screwdriver).
- Check that the seal (80A) is in good condition.

#### 7.4.2. Lobe disassembly



- Loosen the lobe screws (25) using a spanner. This spanner can be requested from INOXPA. See spare parts list (Document: 01.504.31.000)
- These screws have a right-hand thread. In order to prevent the lobes from turning simultaneously, blocks of wood or plastic can be placed between the lobes.
- Check that the O-ring (80) is in good condition.
- Remove both lobes (02). If necessary, use a tool to assist for this purpose.
- **Pump size 1, 2, 3, 4:** Remove the shims (32) mounted on each shaft. If more than one is mounted on each shaft, keep them separate to prevent them from getting mixed up.
- **Pump size 0:** Remove the shaft sleeve (13) mounted on each shaft. Sleeves are not interchangeable. Remember the shaft each sleeve was mounted on.

### 7.4.3. Disassembly of mechanical seals

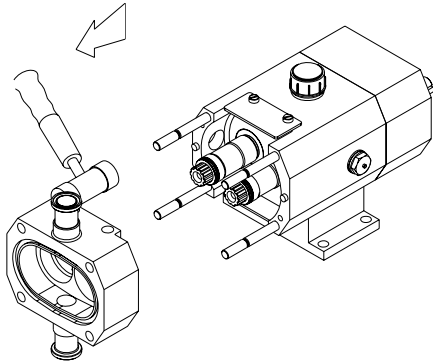
As a result of the pump design, it is not necessary to disassemble the rotor case (01) in order to assemble/disassemble the mechanical seals. Rotatory part is directly mounted to lobe housing. Stationary part is directly mounted to the rotor case.

#### Pump size 0

Due to the compact design, Mechanical Seals are mounted on shaft sleeves.

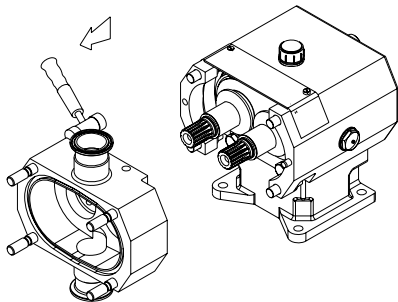
Consult section 7.7 *Assembly and Disassembly of the Mechanical Seals*

### 7.4.4. Rotor case disassembly



#### Pumps Size 0:

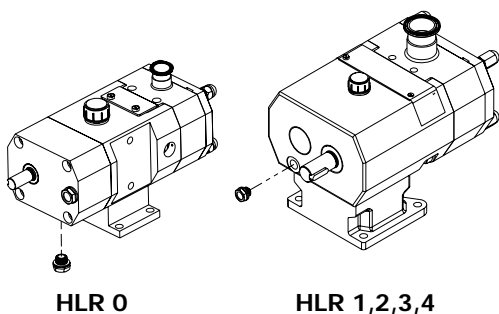
- Remove the Allen screws (51B) that fix the rotor case to the gear case (06).
- Remove the rotor case (01) using Nylon hammer if necessary.



#### Pumps Size 1, 2, 3, 4:

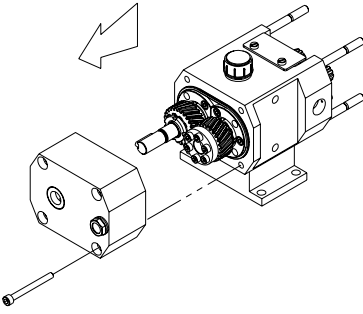
- Loosen and remove the nuts (54A) that fix the rotor case (01) to the gear case (06).
- Remove the rotor case (01) using Nylon hammer if necessary.

### 7.4.5. Lubrication oil drainage



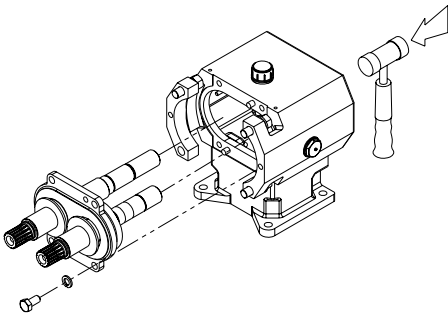
- Place a container underneath the gear case (06) to collect the lubricant oil so that it can be recycled.
- Remove the drainage plug (87) located to the rear of gear case.

#### 7.4.6. Shaft assembly removal



##### Pumps Size 0:

- Remove the key (61A) from the driveshaft (05).
- Remove the screws (51C) and dismount the rear cover (12B) while checking that the O-ring (80E) does not stick to both sides.

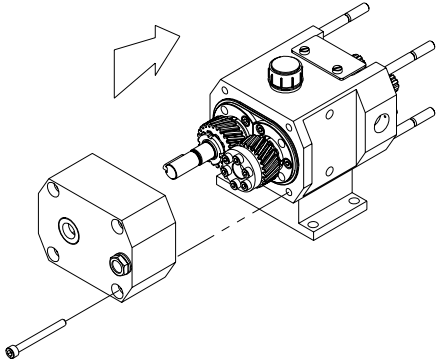


##### Pumps Size 1, 2, 3, 4:

- Identify the position of the driveshaft (05) and whether it is in the left or right position.
- Remove the screws (52) – the screws (51D) at pump size 1 - and washers (53A) that fix the bearings cover (12) to the gear case (06).
- Remove the key (61A) from the driveshaft (05).
- Remove the shaft assembly from the gear case. Due to the tightness of the bearings cover (12), a Nylon hammer must be used. Lightly tap the rear part of the driveshaft (05).
- Check the condition of the Klingerit seal (18A) once the shaft assembly has been removed, and if there are any defects, find a replacement before reassembling the pump.

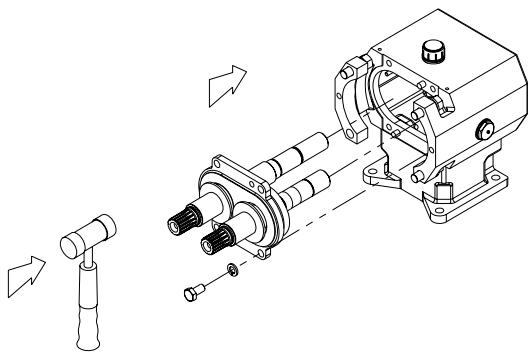
## 7.5. PUMP ASSEMBLY

### 7.5.1. Shaft assembly



#### Pumps Size 0:

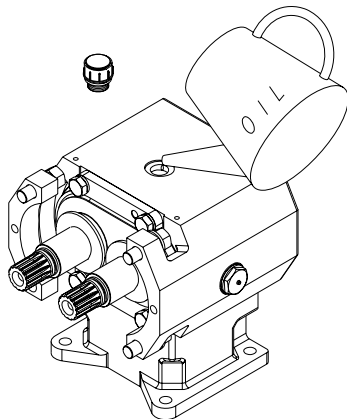
- Check that the O-ring (80E) has not been damaged and attach it with a little grease or oil in the correct position of the bottom cover (12B).
- Attach the rear cover and fix it on with screws (51C).
- Place the key (61A) in the driveshaft (05).



#### Pumps Size 1, 2, 3, 4:

- Ensure that the Klingerit seal (18A) - in the case of pump size 4 check the O-ring (80E) - is in good condition, or if necessary replace it with a new one, and fit it to the gear case (06).
- Make sure to reassemble the pump with the driveshaft (05) in the left or right position just as it was before disassembling.
- Introduce the shaft assembly into the gear case (06) taking care when sliding the shaft (05) driven by the retainer (88).
- Use a Nylon hammer and lightly tap the shafts (05 and 05A) until the bearings cover (12) is well fixed to the gear case (06).
- Fix the bearings cover (12) to the gear case (06) with the washers and screws (53A and 52).
- Place the key (61A) in the driveshaft (05).

### 7.5.2. Filling with lubricant oil



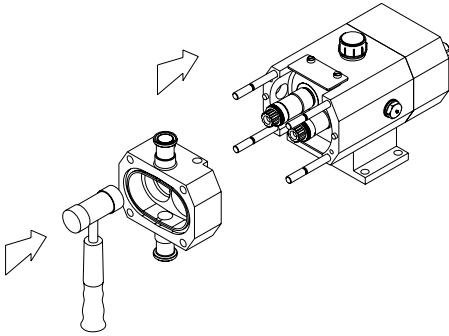
- Remove the oil plug (85) located at the top of the gear case (06).
- Fill the gear case (06) with lubricant up to the level in the middle of the peephole (86).

See 7.1.3 [Oiling](#) to consult type and quantity of oil.

### 7.5.3. Rotor case assembly

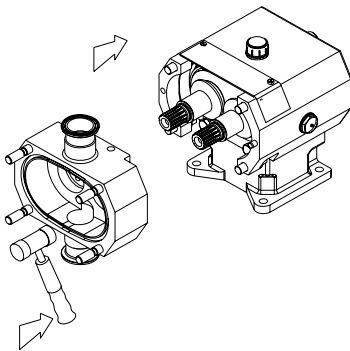


**CAUTION!** When reassembling the rotor case, pay attention to the position of the centring pins.



#### Pumps Size 0:

- Mount the rotor case (01) on the gear case (06). Due to the tightness of the pins, it is necessary to use a Nylon hammer. Lightly tap the rotor case until it is tight to the gear case.
- Attach the allen screws (51B).
- Tighten the nuts with the appropriate tightening torque.



#### Pumps Size 1, 2, 3, 4:

- Mount the rotor case (01) on the gear case (06). Due to the tightness of the pins, it is necessary to use a Nylon hammer. Lightly tap the rotor case until it is tight to the gear case.
- Attach the nuts (54A) with the washers (53).
- Tighten the nuts with the appropriate tightening torque.

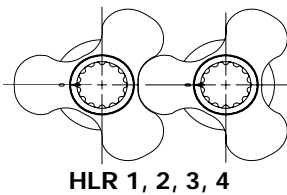
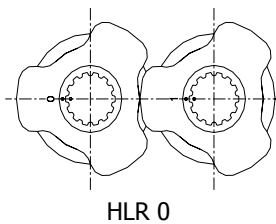
### 7.5.4. Assembly of mechanical seals

Consult section [7.7 Assembly and disassembly of the mechanical Seals](#)

### 7.5.5. Lobe assembly

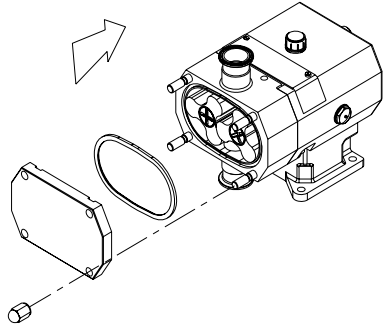


**ALWAYS** check the clearance between the lobes and lobes and rotor case before finishing assembly.  
See [7.6.1 Clearance and tolerance table](#)



- Fit new O-rings (80) to the lobe screws (25)
- Lubricate the rings with soapy water or edible oil compatible with the material of the O-rings, pumped liquid and application.
- Fit the shims (32) on the shafts (05 and 05A).
- See chapter [7.6.3 Lobe/Pump Rotor case adjustment using shims](#).
- Place the lobes (02) on the shafts (05 and 05A) ensuring that the lobe and shaft markings (numbers 0 and 1) coincide.
- Tighten the lobe screws (25) using a spanner. In order to prevent the lobes from turning simultaneously, blocks of wood or plastic can be placed between the lobes.
- Assembly is exactly the same for all lobe types.

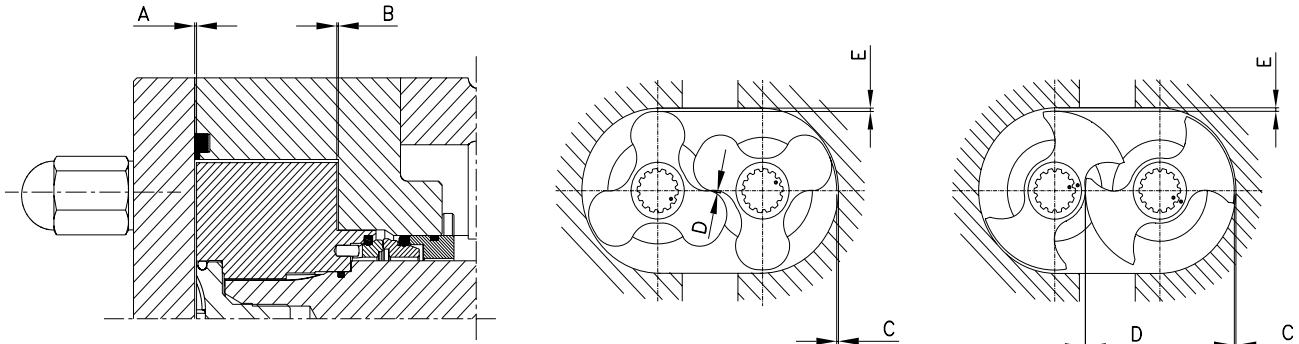
### 7.5.6. Pump cover assembly



- Check that the O-ring (80A) is in good condition or, if applicable, replace it with a new one.
- Place it in the pump rotor case (01) ensuring that no dirt or residue of any product remains in the seal or the rotor case.
- If it is necessary to lubricate the O-ring to assist in fitting it, use soapy water or edible oil compatible with the material of the O-ring, pumped liquid an application.
- Place the pump cover (03) onto the rotor case (01) and tighten the blind nuts (45).
- See chapter [5.1.1 Checks to be carried out before putting the pump into operation](#)

## 7.6. LOBE ADJUSTMENT AND SYNCHRONISING

### 7.6.1. Clearance and tolerance table



(mm)	A	B	C	D	E
HLR 0-20	0,12 ±0,05	0,07 ±0,03	0,15 ±0,05	0,15 ±0,05	0,35 ±0,05
HLR 0-25	0,15 ±0,05	0,08 ±0,03	0,2 ±0,05	0,15 ±0,05	0,4 ±0,05
HLR 1-25	0,15 ±0,05	0,1 ±0,05	0,15 ±0,05	0,15 ±0,05	0,35 ±0,05
HLR 1-40	0,15 ±0,05	0,1 ±0,05	0,2 ±0,05	0,15 ±0,05	0,4 ±0,05
HLR 2-40	0,2 ±0,05	0,15 ±0,05	0,15 ±0,05	0,15 ±0,05	0,35 ±0,05
HLR 2-50	0,2 ±0,05	0,15 ±0,05	0,2 ±0,05	0,15 ±0,05	0,4 ±0,05
HLR 3-50	0,25 ±0,05	0,2 ±0,05	0,2 ±0,05	0,2 ±0,05	0,4 ±0,1
HLR 3-80	0,3 ±0,05	0,2 ±0,05	0,3 ±0,1	0,2 ±0,05	0,5 ±0,1
HLR 4-100	0,35 ±0,05	0,35 ±0,05	0,4 ±0,1	0,3 ±0,05	0,85 ±0,1
HLR 4-150	0,5 ±0,05	0,35 ±0,05	0,6 ±0,1	0,3 ±0,05	1,05 ±0,1

A = axial clearance between the lobe and the cover.

B = axial clearance between the lobe and the rear of the rotor case.

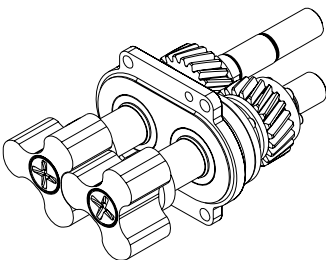
C = radial clearance between the lobe and the rotor case.

D = radial clearance between the lobes.

E = radial clearance between the lobe and the rotor case on the suction side.

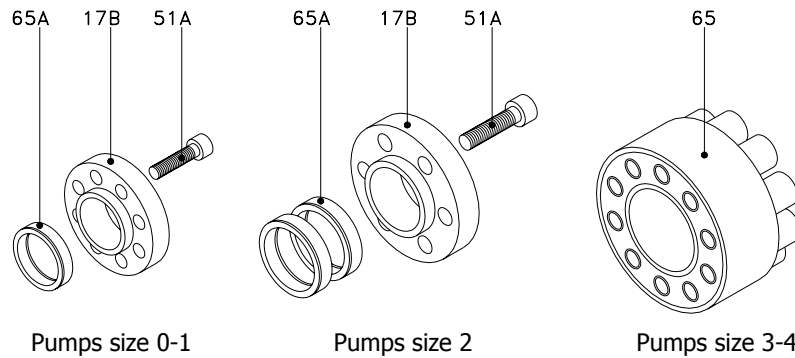
Dimensions in mm

### 7.6.2. Synchronising the lobes

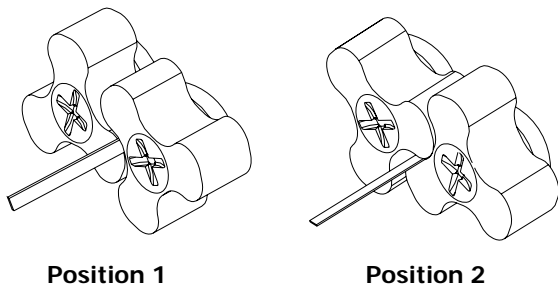


- In order to enable the lobes to be tightened, it is necessary to remove the shaft assembly from the gear case (except in the case of pump size 0), and mount the lobes (02) on the shafts fixing them with screws (25).
- Loosen the tightening screws from the adjustable fastening mechanism for the idler gear (19A). In principle, the adjustable fastening mechanism is easy to disassemble. It is now possible to rotate the driveshaft (05) while holding the idler shaft still (05A).





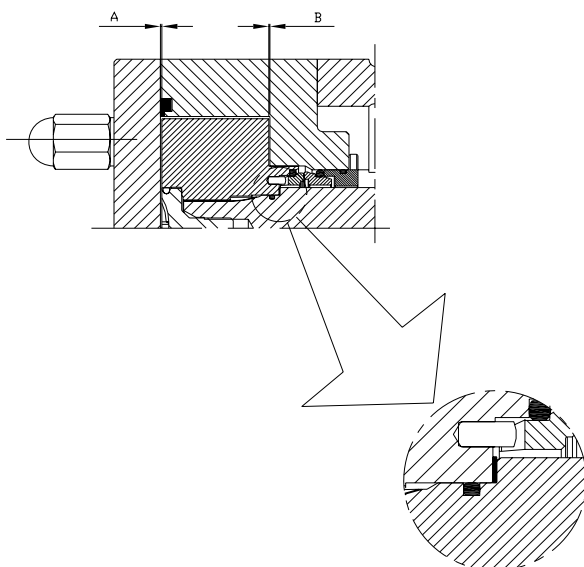
**Pumps Size 0, 1, and 2:** the adjustable fixing mechanism consists of three pieces: Allen screws (51A), bearing cones (65A), and impeller bushing (17B).  
**Pumps Size 3 and 4:** the adjustable fixing mechanism is a single piece (65).



- Slide the lobes (02) over the shafts (05 and 05A) as indicated in [7.5.5 Lobe assembly](#)
- Turn the lobes to the position indicated in position 1 until the gap is as indicated in [7.6.1. Clearance and tolerance table](#)
- Tighten manually several tightening screws in the adjustable fixing mechanism.
- Then turn the left lobe about 60° in anti-clockwise direction (position 2). Check that the gap in this position is equal to the position 1. If not, these gaps should be equalised by turning one lobe slightly while holding the other still.

- Tighten the tightening screws of the adjustable fixing mechanism diagonally by 2 or 3 turns with the established tightening torque.
- When tightening the screws of the adjustable fixing mechanism, ensure that the gears (19 and 19A) do not turn in relation to each other. This can be avoided by placing a wooden wedge between the gears (19 and 19A).
- Check again the gap between the lobes (02) and turn the driveshaft (05) a few times in order to check that the lobes (02) do not rub against one another at any point.
- Remove the lobes (02) from the shafts (05 and 05A).
- Apply a little lubricant to the driveshaft (05) at the location of the retainer (88) once assembly is finished.

### 7.6.3. Lobe/Pump Rotor case adjustment using shims



- This is the final adjustment to be carried out. The pump must be synchronised and the pump rotor case must be mounted on the gear case.
- Pumps Size 0:**
- Due to its small size, and the low assembly tolerances, this pump does not use shims. The length of the sleeves (13) must be adjusted for each pump.
- Pumps Size 1, 2, 3, 4:**
- The adjustment is made using ring-shaped shims (32) placed between shaft (05 and 05A) and the lobe (02).
  - There are 3 different shim thicknesses (0,1, 0,15 and 0,2 mm).
  - Mount the lobes (02) and tighten the screws (25) as described in [7.5.5. Lobe assembly](#).
  - Check the tolerances between the lobe and rotor case (A and B). See [7.6.1. Clearance and tolerance table](#). If they are out of range, change the shims until the necessary clearance is achieved.

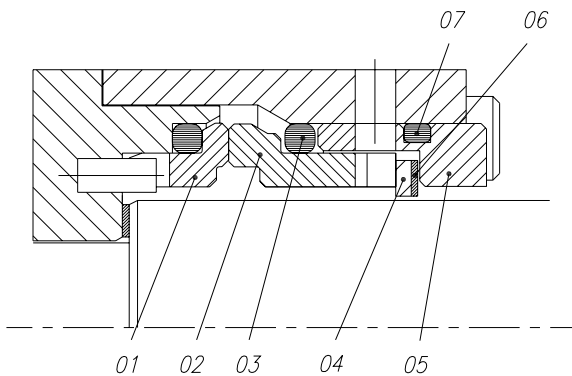
## 7.7. MECHANICAL SEAL ASSEMBLY AND DISASSEMBLY

### 7.7.1. Single mechanical seal



Mechanical seals are fragile parts. Take care when handling them. Do not use any screwdriver or similar tool to pull out the parts.

- Clean all the components of the mechanical seal before placing them.
- Check that the working surfaces are not damaged. INOXPA recommends replacing the entire mechanical seal if one of the working surfaces has a defect.
- Replace the O-rings during assembly.



Pos.	Description
	Single mechanical seal
01	Rotary part
02	Stationary part
03	O-ring
04	Washer
05	Drive Ring
06	Wave Spring
07	O-ring

#### Disassembly



**Pump size 0:** Remove the shaft sleeve (13) mounted on each shaft. Sleeves are not interchangeable. Remember the shaft each sleeve was mounted on.

**Pump size 1, 2, 3, 4:** Remove the shaft shims (32) mounted on each shaft. If more than one is mounted on each shaft, keep them separate to prevent them from getting mixed up.

- Normally the Rotary Assembly (01) remains housed in the lobe rotor during disassembly. Remove them carefully.
- Remove the stationary parts (02 + 05) from the rotor case bores along. Please proceed carefully.

#### Assembly



**Pump size 0:** Fit the sleeves (13) on each origin shaft.

**Pump size 1, 2, 3, 4:** Fit the shims (32) on each origin shaft.

- Lubricate all the O-rings of the mechanical seal with soapy water or oil compatible with the material of the seals, pumped liquid and application.
- Mount the drive ring (05) into the rotor case bore, taking care to align it with the 4 seal washer located in the back of the rotor case.
- Fit the stationary part (02) with the drive ring (05) into the rotor case bore, ensuring that the pins of the drive ring (05) engage with the biggest slots of stationary part (02).

**Note:** Pumps size 0. Be sure that shaft sleeves (13) are already assembled on the pump before mounting the mechanical seal.

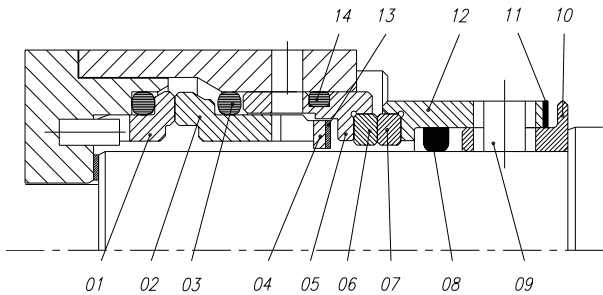
- Mount the rotary assembly (01) to the lobe rotor ensuring that the pins of the lobe rotor engage with the slots of the rotary assembly, and it remains perfectly flat.
- Clean the working surfaces with solvent.
- Reassemble the lobe rotor according to [7.5.5 Lobe assembly](#).
- See paragraph [7.6.3 Lobe/Pump Rotor case adjustment using shims](#).

### 7.7.2. Balanced double mechanical seal



**Mechanical seals are fragile parts. Take care when handling them.  
Do not use any screwdriver or similar tool to pull out the parts.**

- Clean all the components of the mechanical seal before placing them.
- Check that the working surfaces are not damaged. INOXPA recommends replacing the entire mechanical seal if one of the working surfaces has a defect.
- Replace the O-rings during assembly.



Pos.	Description
	Double mechanical seal
01	Rotary part
02	Stationary part
03	O-ring
04	Washer
05	Static Holder
06	Insert
07	Insert
08	O-ring
09	Grub screw
10	Drive ring
11	Wave Spring
12	Rotary Holder
13	Wave Spring
14	O-ring

#### Disassembly



**Pump size 0:** Remove the shaft sleeve (13) mounted on each shaft. Sleeves are not interchangeable. Remember the shaft each sleeve was mounted on.

**Pump size 1, 2, 3, 4:** Remove the shims (32) mounted on each shaft. If more than one is mounted on each shaft, keep them separate to prevent them from getting mixed up.

- Normally the Rotary Assembly (01) remains housed in the lobe rotor during disassembly. Remove them carefully.
- Remove the stationary parts (02 + 05) from the rotor case bores along. Please proceed carefully.
- Remove the 4 seal washers located to the rear of rotor case. Or, 4 Allen screws at pump size 0.
- Loosen the grub screws (09).
- Remove carefully the rotary holder (12) and the drive ring (10) from the shafts along.

#### Assembly



**Pump size 0:** Fit the shaft sleeves (13) on each origin shaft.

**Pump size 1, 2, 3, 4:** Fit the shims (32) on each origin shaft.

- Lubricate all the O-rings of the mechanical seal with soapy water or oil compatible with the material of the seals.

**Note:** Pump size 0. Be sure that shaft sleeves (13) are already assembled on the pump before mounting the mechanical seal.

- Mount the drive ring (10) and the rotary holder (12) onto the pump shafts as far as they will go and fix them to the shafts with the grub screws (09).
- Clean the working surfaces with solvent.
- Mount the 4 seal washers located to the rear of rotor case. Or, 4 Allen screws at pump size 0.
- Mount the drive ring (05) into the rotor case bore, taking care to align it with the 4 seal washer located in the back of the rotor case.
- Fit the stationary part (02) with the drive ring (05) into the rotor case bore, ensuring that the pins of the drive ring (05) engage with the biggest slots of stationary part (02).
- Mount the rotary assembly (01) to the lobe rotor ensuring that the lobe pins engage with the slots of the rotary face (01), and it remains perfectly flat.
- Clean the working surfaces with solvent.
- Reassemble the lobe rotor according to [7.5.5 Lobe assembly](#).
- See paragraph 7.6.3 [Lobe/Pump Rotor case adjustment using shims](#).

# 8. Technical Specifications

## 8.1. TECHNICAL SPECIFICATIONS

	Short rotor	Long rotor
Theoretical displacement volume x 100 rev. ....	217 litres	321 litres
Maximum flow rate .....	52 m <sup>3</sup> /h (229 US gpm)	77 m <sup>3</sup> /h (339 US gpm)
Maximum differential pressure.....	12 bar (174 psi)	7 bar (102 psi)
Maximum working pressure.....	16 bar (232 psi)	16 bar (232 psi)
Maximum temperature <sup>(1)</sup> .....	120 °C (248 °F)	120 °C (248 °F)
Maximum viscosity <sup>(2)</sup> (recommended).....	100.000 mPa.s	100.000 mPa.s
Maximum speed .....	950 rpm	950 rpm
Maximum connections.....	100 mm (4 in)	150 mm (6 in)
Suction / delivery connections .....	Clamp (standard)	Clamp (standard)

<sup>(1)</sup> Maximum temperature for continuous application due to EPDM gaskets and standard lobe rotor clearances. To consult for higher temperatures.

<sup>(2)</sup> The maximum viscosity allowed will depend on the nature of the liquid and the sliding speed of the seal faces. Consult INOXPA should the viscosity be still greater.



Use special protection when the noise level in the operation area exceeds 85 dB(A).

PUMP SIZE	$n_{max.}$ [rpm]	$B_1$ [mm]	$D_1$ [mm]	$V_{s-100}$ [l]	$Q_{th}$ [m <sup>3</sup> /h]	$P_{max.}$ [bar]	$V_u$ [m/s]	$V_i$ [m/s]
HLR 0-20	950	21	47,8	2,1	1,8	12	3,6	1,7
HLR 0-25	950	29	47,8	3,0	1,7	7	2,3	0,9
HLR 1-25	950	30	69,1	10,0	5,7	12	3,4	2,9
HLR 1-40	950	42	69,1	13,9	7,9	7	3,4	1,9
HLR 2-40	950	42	87,6	23,4	13,3	12	4,3	3,2
HLR 2-50	950	54	87,6	30,1	17,1	7	4,3	2,4
HLR 3-50	720	54	131,5	67,7	29,3	12	4,9	4,1
HLR 3-80	720	76	131,5	95,3	41,2	7	4,9	2,2
HLR 4-100	400	104	169,7	217,2	52,13	10	3,5	1,8
HLR 4-150	400	154	169,7	321,7	77,21	5	3,5	1,2

$n_{max.}$	Maximum speed
$B_1$	Lobe width
$D_1$	Lobe diameter
$V_{s-100}$	Theoretical displacement volume x 100 rev
$Q_{th}$	Theoretical flow rate at $n_{max.}$
$P_{max.}$	Maximum differential pressure
$V_u$	Peripheral speed
$V_i$	Maximum inlet velocity

---

**Materials**

Product wetted parts .....	AISI 316L
Other parts in stainless steel.....	AISI 304
Product wetted gaskets .....	EPDM
Other materials for optional gaskets.....	Consult your supplier
Product wetted parts surface finishing .....	Ra < 0,8 µm

**Mechanical seal**

Type of seal .....	Single internal balanced mechanical seal
Rotary parts material .....	Silicon carbide
Stationary parts material .....	Carbon
Elastomers material .....	EPDM

**Cooled mechanical seal**

Working pressure.....	0,5 bar (73 psi)
Flow rate of the circulation .....	2,5-5 l/min (0,7-1,3 US gpm)

**Double mechanical seal**

Type of seal .....	Balanced design
Due to the balanced design, no over pressure is required	
Operating pressure (if it is required by the process) .....	1,5-2 bar (22-29 psi) over the pump operating pressure

**Heating jacket**

Maximum temperature .....	180 °C (356 °F)
Maximum pressure.....	4 bar (58 psi)

### 8.1.1. Size of the particles



**WARNING! Only soft particles.**  
< 10 % damage when using trilobe geometry.  
< 2 % damage when using wing lobe geometry.

Pump size	Internal diameter connection [mm]	Maximum theoretical sphere frame [mm]	Recommended maximum theoretical sphere frame [mm]
HLR 0-20	15,8	7,5	2,5
HLR 0-25	22,4	7,5	2,5
HLR 1-25	22,4	20,6	7
HLR 1-40	35,1	20,6	7
HLR 2-40	35,1	25,6	9
HLR 2-50	47,8	25,6	9
HLR 3-50	47,8	38,5	13
HLR 3-80	72,2	38,5	13
HLR 4-100	97,6	45,6	15
HLR 4-150	150	45,6	15

### 8.1.2. Torque

Maximum torque in the pump shaft.

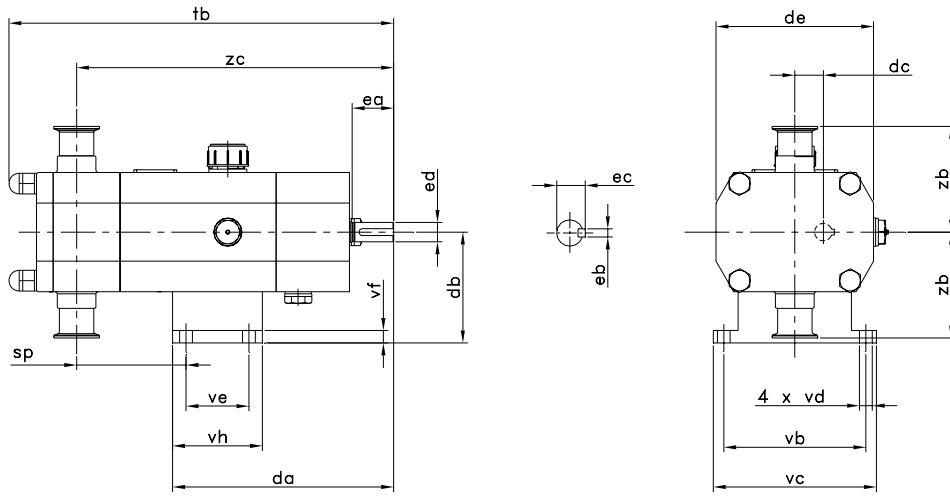
Pump size	(N.m.)
HLR 0	35
HLR 1	53
HLR 2	108
HLR 3	400
HLR 4	1200

### 8.2. WEIGHTS

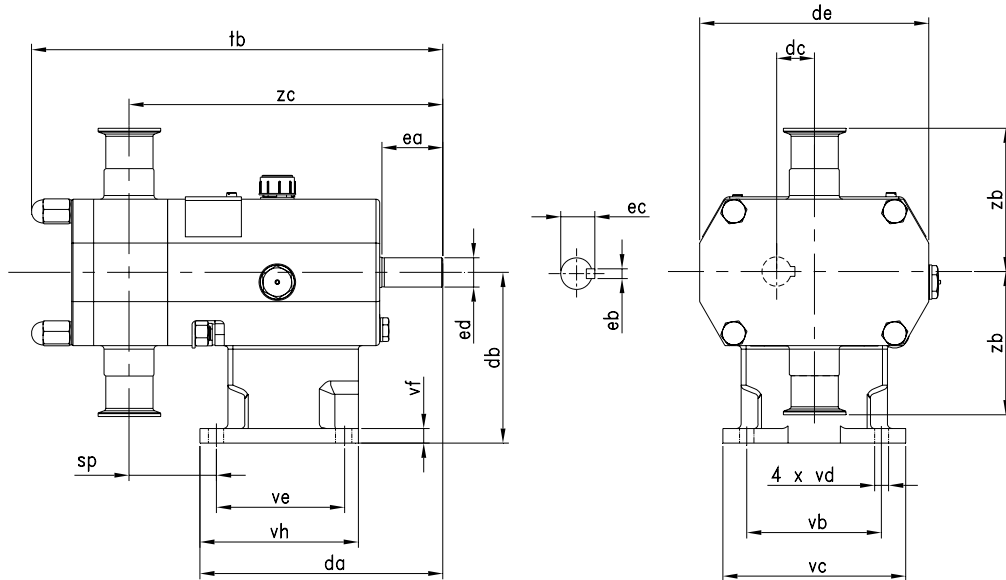
Pump size	Pump with bare shaft end [kg]
HLR 0-20	12,7
HLR 0-25	13,5
HLR 1-25	19,2
HLR 1-40	20,2
HLR 2-40	29,3
HLR 2-50	30,7
HLR 3-50	66,1
HLR 3-80	70,6
HLR 4-100	170,2
HLR 4-150	186

### 8.3. HLR DIMENSIONS

#### HLR 0

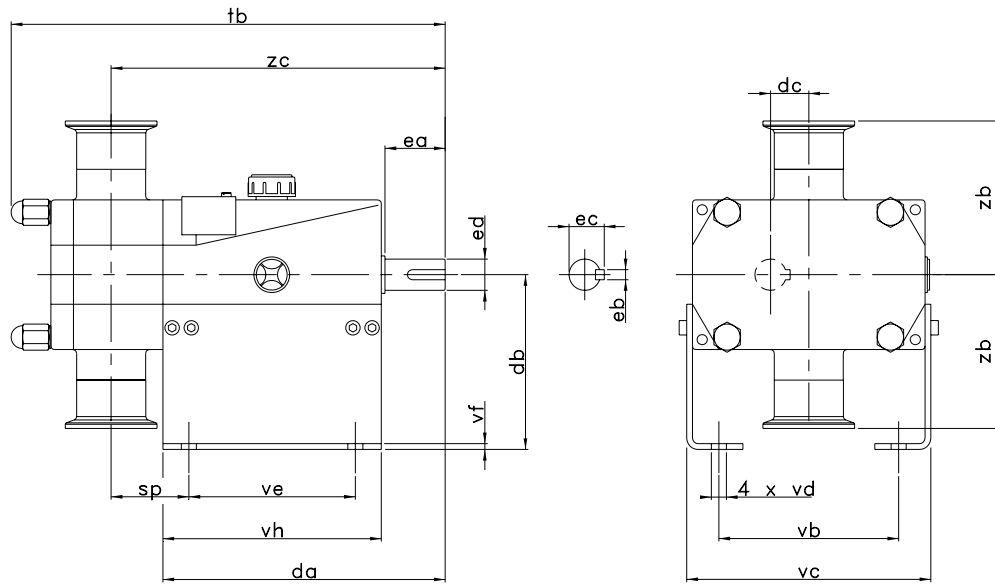


#### HLR 1, 2, 3



Pump size	da	db	dc	de	ea	eb	ec	ed	sp	tb	vb	vc	vd	ve	vf	vh	zb	zc
HLR 0-20	160	80	20	115	30	5	16,2	14	73	271	102	118	9	50	9	65	67,5	227
HLR 0-25									77	280							76,5	230
HLR 1-25	165	112	25	160	40	6	21,6	19	69	289	115	135	9	85	10	105	94,5	222
HLR 1-40									75	301							94,5	228
HLR 2-40	200	140	31	190	50	8	27	24	71	338	125	150	11	105	12	130	106	258
HLR 2-50									77	350							106	264
HLR 3-50	280	190	46,5	250	80	10	41,4	38	86	428	170	210	13	130	14	170	133,5	342
HLR 3-80									99	450							133,5	355

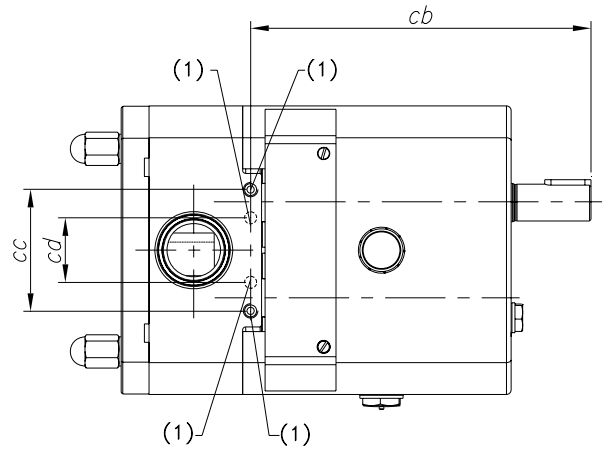
**HLR 4**



Pump size	da	db	dc	ea	eb	ec	ed	sp	tb	vb	vc	vd	ve	vf	vh	zb	zc
HLR 4-100	433	225	60	110	16	58,9	55	77,8	617	256	346	18	280	9	320	161,5	491
HLR 4-150								104	666							168	517



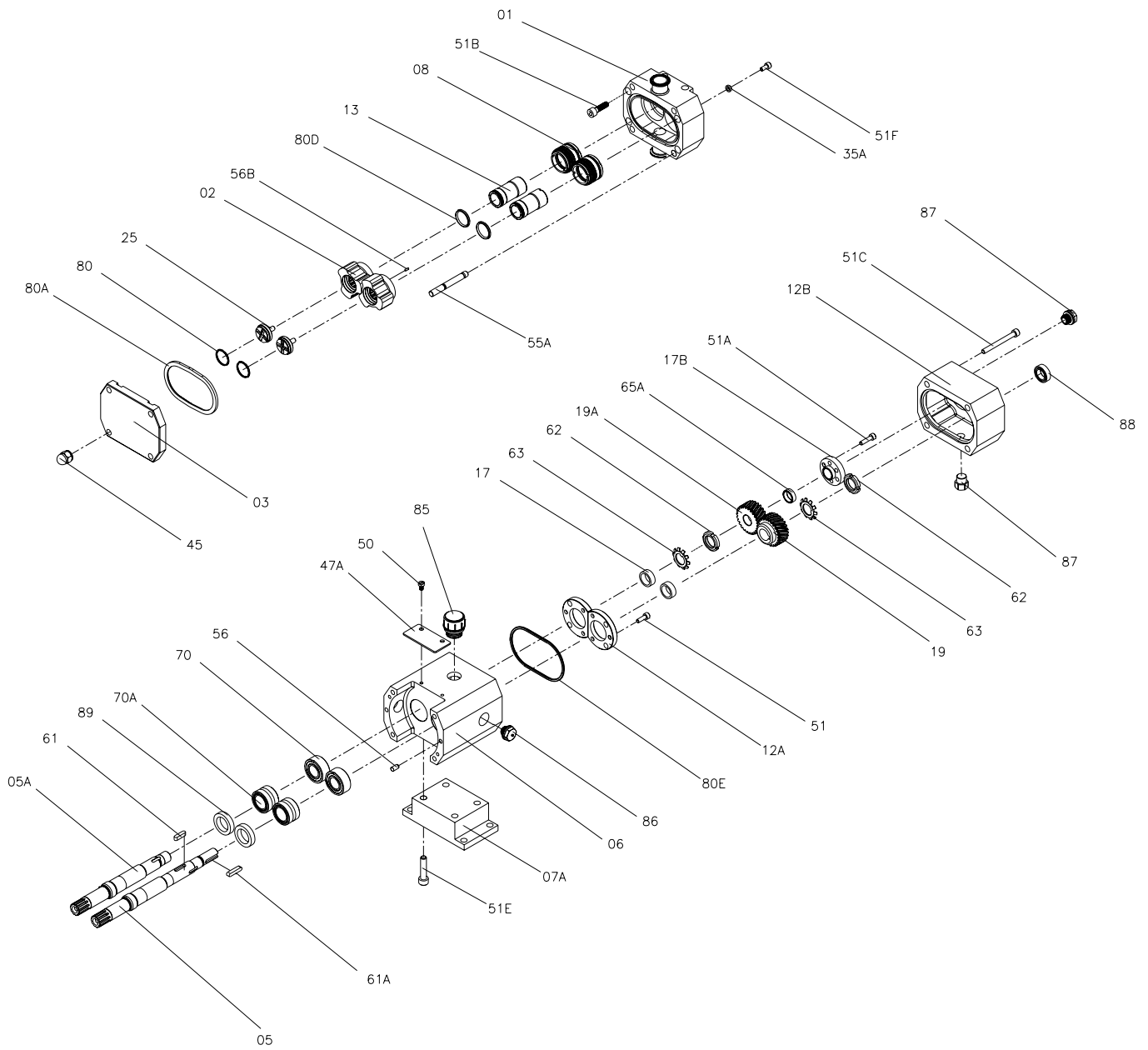
**8.4. HLR WITH COOLED MECHANICAL SEAL (QUENCH DIMENSIONS)**



(1) Quench sealing connection 4 x G1/8"

Pump size	cb	cc	cd
HLR 0-20	197	40	40
HLR 0-25			
HLR 1-25	189	68	32
HLR 1-40			
HLR 2-40	221	82	42
HLR 2-50			
HLR 3-50	295	123	63
HLR 3-80			
HLR 4-100	418	160	80
HLR 4-150			

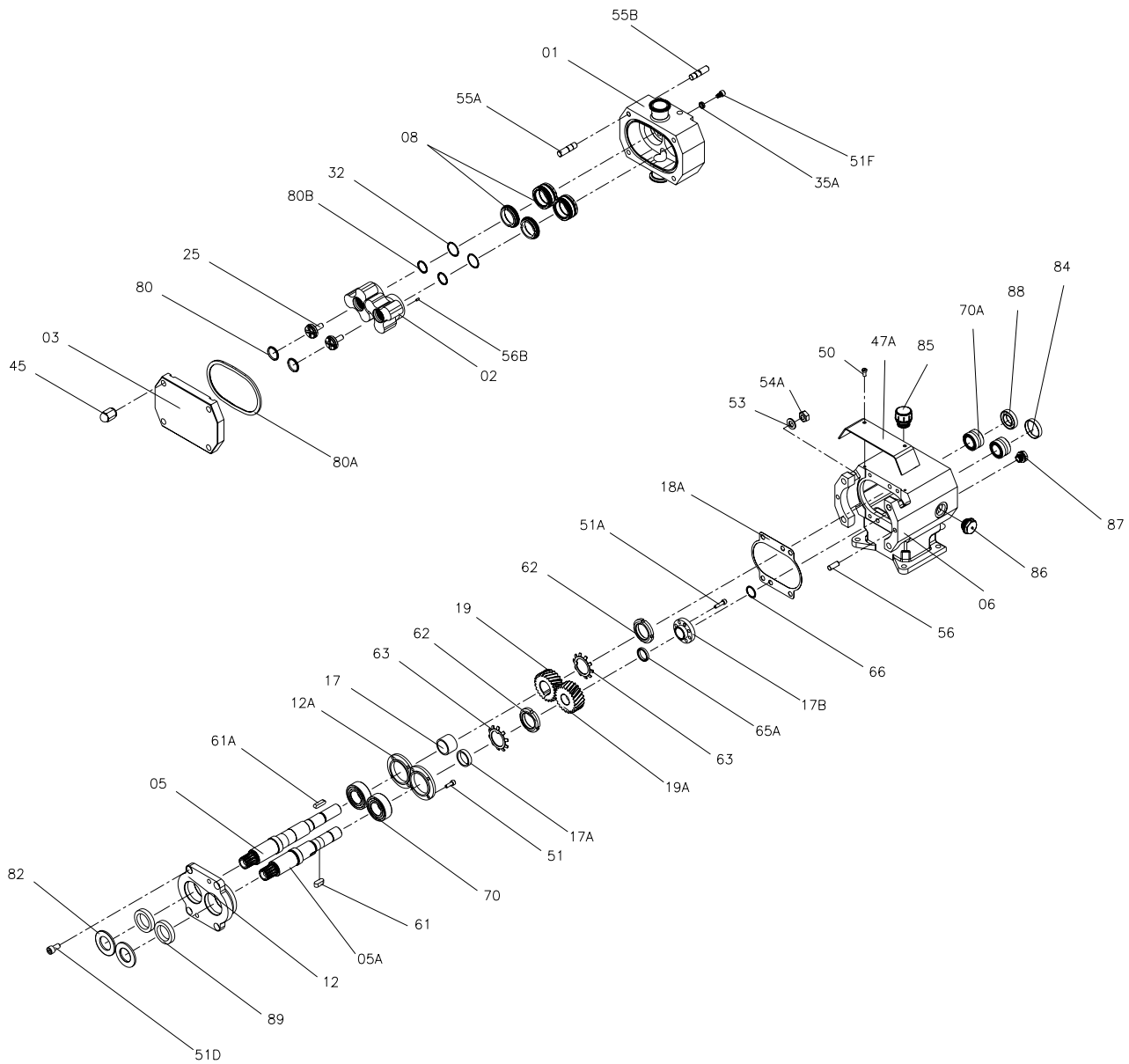
8.5. HLR 0  
8.5.1. Exploded view



## 8.5.2. Spare part list

Pos.	Description	Quant.	Material
01	Rotor case	1	AISI 316L
	HLR 0-20 ( short )		
	HLR 0-25 ( large )		
02	Rotor	2	AISI 316L
	HLR 0-20 ( short )		
	HLR 0-25 ( large )		
03	Front cover	1	AISI 316L
05	Drive shaft	1	AISI 329
05A	Driven shaft	1	AISI 329
06	Gear case	1	GG-22
07A	Support, vertical port	1	F-1
08	Mechanical seal	2	SIC/C/EPDM
12A	Bearing stop flange	2	GG-22
12B	Back cover	1	GG-22
13	Sleeve, seal	2	AISI 316L
17	Drive shaft bushing	1	ST-52
17B	Dragging bushing	1	ST-52
19	Driver shaft gear	1	F-154
19A	Driven shaft gear	1	F-154
25	Lobe screw	2	AISI 316L
	HLR 0-20 ( short )		
	HLR 0-25 ( large )		
35A	Seal washer	8	AISI 316L
45	Wing nut	4	AISI 304
47A	Protector	1	PET-Plus
50	Screw	2	A2
51	Allen screw	6	8.8
51A	Allen screw	6	8.8
51B	Allen screw	4	8.8
51C	Allen screw	4	8.8
51E	Allen screw	4	A2
51F	Allen screw	8	A2
55A	Stud	4	A2
56	Pin	2	F-522
56B	Pin	4	A2
61	Key	1	F-114
61A	Key	1	AISI 304
62	Safety nut	2	Steel
63	Safety washer	2	Steel
65A	Conical tightening ring	1	Steel
70	Ball bearings	2	Steel
70A	Needle bearings	2	Steel
80	O-ring	2	70 EPDM
80A	Front cover gasket	1	70 EPDM
80D	O-ring	2	70 EPDM
80E	O-ring	1	NBR
85	Oil plug	1	Plastic
86	Peephole	1	Plastic
87	Bleeder	1	Plastic
88	Lip seal	1	72 NBR
89	Lip seal	2	72 NBR

8.6. HLR 1  
8.6.1. Exploded view

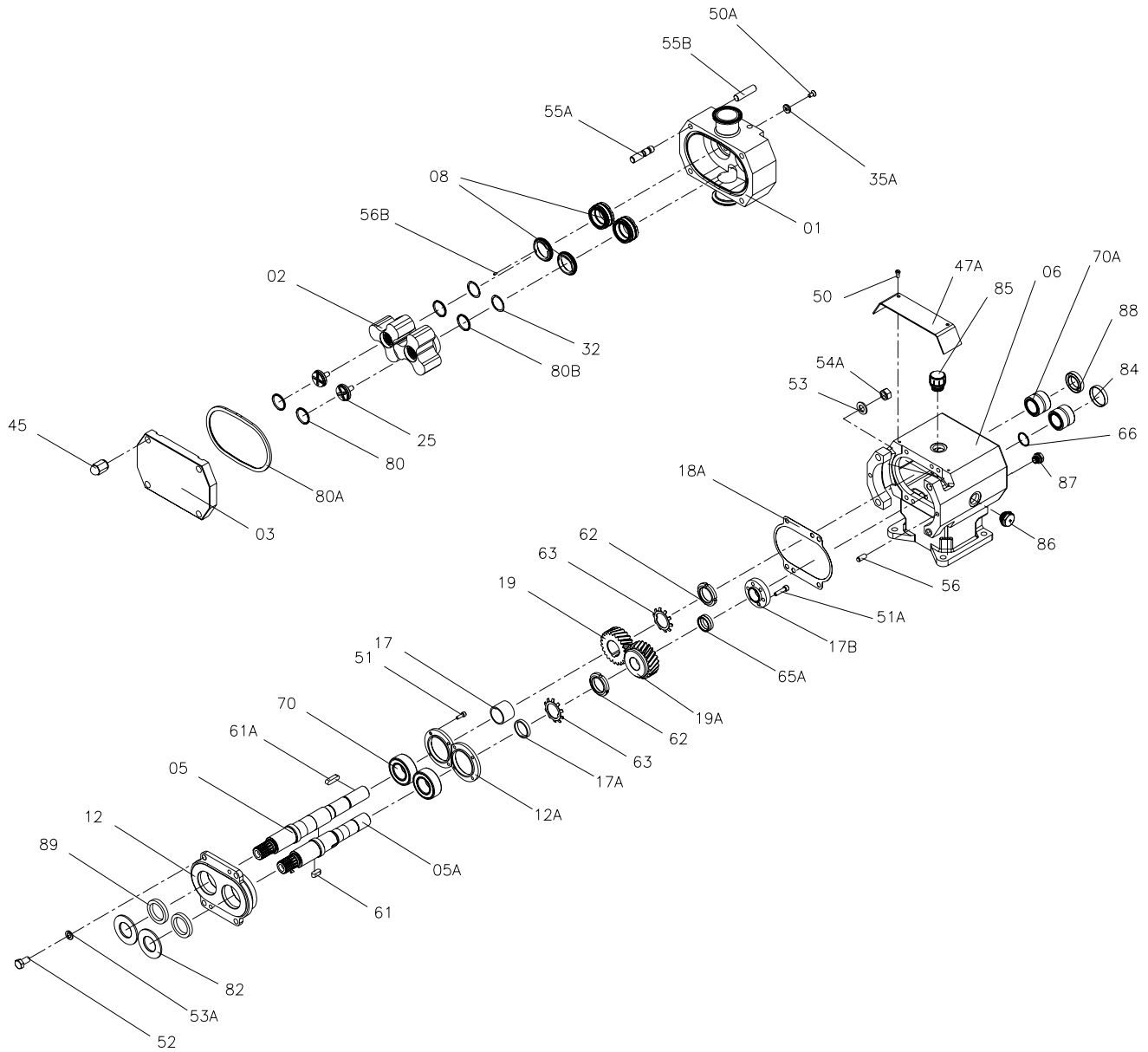


## 8.6.2. Spare parts list

Pos.	Description	Quant.	Material
01	Rotor case	1	AISI 316L
	HLR 1-25 ( short )		
	HLR 1-40 ( large )		
02	Rotor	2	AISI 316L
	HLR 1-25 ( short )		
	HLR 1-40 ( large )		
03	Front cover	1	AISI 316L
05	Drive shaft	1	AISI 329
05A	Driven shaft	1	AISI 329
06	Gear case	1	GG-22
08	Mechanical seal	2	SIC/C/EPDM
12	Bearing cover	1	GG-22
12A	Bearing stop flange	2	GG-22
17	Drive shaft bushing	1	ST-52
17A	Driven shaft bushing	1	ST-52
17B	Dragging bushing	1	ST-52
18A	Bearing cover gasket	1	Klingerit
19	Driver shaft gear	1	F-154
19A	Driven shaft gear	1	F-154
25	Lobe screw	2	AISI 316L
	HLR 1-25 ( short )		
	HLR 1-40 ( large )		
32	Shim	- (*)	SS
35A	Seal washer	8	AISI 316L
45	Wing nut	4	AISI 304
47A	Protector	1	PET-Plus
50	Screw	2	A2
51	Allen screw	8	8.8
51A	Allen screw	8	8.8
51D	Allen screw	4	8.8
51F	Allen screw	8	A2
53	Flat washer	4	A2
54A	Hexagonal nut	4	A2
55A	Stud	4	A2
55B	Stud	4	A2
56	Pin	4	F-522
56B	Pin	4	A2
61	Key	1	F-114
61A	Key	1	AISI 304
62	Safety nut	2	Steel
63	Safety washer	2	Steel
65A	Conical tightening ring	1	Steel
66	Circlip	1	Steel
70	Ball bearings	2	Steel
70A	Needle bearings	2	Steel
80	O-ring	2	70 EPDM
80A	Front cover gasket	1	70 EPDM
80B	O-ring	2	70 EPDM
82	Splash ring	2	EPDM
84	Blanking plug	1	72 NBR
85	Oil plug	1	Plastic
86	Peephole	1	Plastic
87	Bleeder	1	Plastic
88	Lip seal	1	72 NBR
89	Lip seal	2	72 NBR

\* Quantity of shims may vary from one pump to another

8.7. HLR 2  
8.7.1. Exploded view

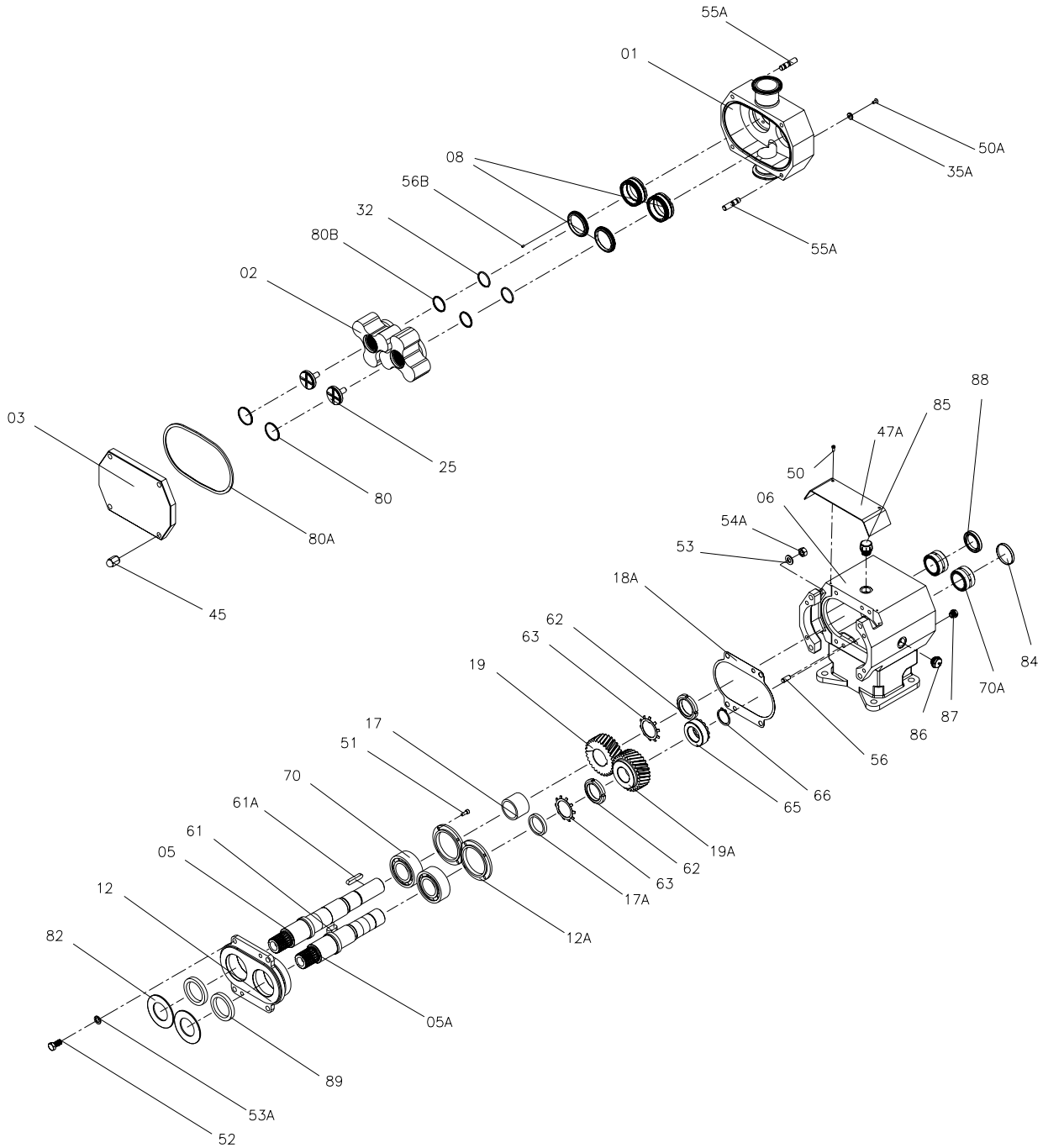


## 8.7.2. Spare parts list

Pos.	Description	Quant.	Material
01	Rotor case	1	AISI 316L
	HLR 2-40 ( short )		
	HLR 2-50 ( large )		
02	Rotor	2	AISI 316L
	HLR 2-40 ( short )		
	HLR 2-50 ( large )		
03	Front cover	1	AISI 316L
05	Drive shaft	1	AISI 329
05A	Driven shaft	1	AISI 329
06	Gear case	1	GG-22
08	Mechanical seal	2	SIC/C/EPDM
12	Bearing cover	1	GG-22
12A	Bearing stop flange	2	GG-22
17	Drive shaft bushing	1	ST-52
17A	Driven shaft bushing	1	ST-52
17B	Dragging bushing	1	ST-52
18A	Bearing cover gasket	1	Klingerit
19	Driver shaft gear	1	F-154
19A	Driven shaft gear	1	F-154
25	Lobe screw	2	AISI 316L
	HLR 2-40 ( short )		
	HLR 2-50 ( large )		
32	Shim	- (*)	SS
35A	Seal washer	8	AISI 316L
45	Wing nut	4	AISI 304
47A	Protector	1	PET-Plus
50	Screw	2	A2
50A	Countersunk screw	8	A2
51	Allen screw	8	8.8
51A	Allen screw	6	A2
52	Hex. Screw	4	8.8
53	Flat washer	4	A2
53A	Grower washer	4	A2
54A	Hexagonal nut	4	A2
55A	Stud	4	A2
55B	Stud	4	A2
56	Pin	4	F-522
56B	Pin	4	A2
61	Key	1	F-114
61A	Key	1	AISI 304
62	Safety nut	2	Steel
63	Safety washer	2	Steel
65A	Conical tightening ring	2	Steel
66	Circlip	1	Steel
70	Ball bearings	2	Steel
70A	Needle bearings	2	Steel
80	O-ring	2	70 EPDM
80A	Front cover gasket	1	70 EPDM
80B	O-ring	2	70 EPDM
82	Splash ring	2	EPDM
84	Blanking plug	1	72 NBR
85	Oil plug	1	Plastic
86	Peephole	1	Plastic
87	Bleeder	1	Plastic
88	Lip seal	1	72 NBR
89	Lip seal	2	72 NBR

\* Quantity of shims may vary from one pump to another

8.8. HLR 3  
8.8.1. Exploded view





## 8.8.2. Spare parts list

Pos.	Description	Quant.	Material
01	Rotor case	1	AISI 316L
	HLR 3-50 ( short ) HLR 3-80 ( large )		
02	Rotor	2	AISI 316L
	HLR 3-50 ( short ) HLR 3-80 ( large )		
03	Front cover	1	AISI 316L
05	Drive shaft	1	AISI 329
05A	Driven shaft	1	AISI 329
06	Gear case	1	GG-22
08	Mechanical seal	2	SiC/C/EPDM
12	Bearing cover	1	GG-22
12A	Bearing stop flange	2	GG-22
17	Drive shaft bushing	1	ST-52
17A	Driven shaft bushing	1	ST-52
18A	Bearing cover gasket	1	Klingerit
19	Driver shaft gear	1	F-154
19A	Driven shaft gear	1	F-154
25	Lobe screw	2	AISI 316L
	HLR 3-50 ( short ) HLR 3-80 ( large )		
32	Shim	-(*)	SS
35A	Seal washer	8	AISI 316L
45	Wing nut	4	AISI 304
47A	Protector	1	PET-Plus
50	Screw	2	A2
50A	Countersunk screw	8	A2
51	Allen screw	8	8.8
52	Hex. Screw	4	8.8
53	Flat washer	4	A2
53A	Grower washer	4	A2
54A	Hexagonal nut	4	A2
55A	Stud	8	A2
56	Pin	6	F-522
56B	Pin	4	A2
61	Key	1	F-114
61A	Key	1	AISI 304
62	Safety nut	2	Steel
63	Safety washer	2	Steel
65A	Conical tightening ring	1	Steel
66	Circlip	1	Steel
70	Ball bearings	2	Steel
70A	Needle bearings	2	Steel
80	O-ring	2	70 EPDM
80A	Front cover gasket	1	70 EPDM
80B	O-ring	2	70 EPDM
82	Splash ring	2	EPDM
84	Blanking plug	1	72 NBR
85	Oil plug	1	Plastic
86	Peephole	1	Plastic
87	Bleeder	1	Plastic
88	Lip seal	1	72 NBR
89	Lip seal	2	72 NBR

\* Quantity of shims may vary from one pump to another



## 8.9.2. Spare parts list

Pos.	Description	Quant.	Material
01	Rotor case HLR 4-100 ( short ) HLR 4-150 ( large )	1	AISI 316L
02	Rotor HLR 4-100 ( short ) HLR 4-150 ( large )	2	AISI 316L
03	Front cover	1	AISI 316L
05	Drive shaft	1	AISI 329
05A	Driven shaft	1	AISI 329
06	Gear case	1	GG-22
07A	Support	2	AISI 304
08	Mechanical seal	2	SIC/C/EPDM
12	Bearing cover	1	GG-22
12A	Bearing stop flange	2	GG-22
17	Drive shaft bushing	1	ST-52
17D	Drive shaft bushing	1	ST-52
19	Driver shaft gear	1	F-154
19A	Driven shaft gear	1	F-154
25	Lobe screw HLR 4-100 ( short ) HLR 4-150 ( large )	2	AISI 316L
32	Shim	- (*)	SS
35A	Seal washer	8	AISI 316L
45	Wing nut	4	AISI 304
47A	Protector	2	PET-Plus
50	Screw	4	A2
50A	Countersunk screw	8	A2
51	Allen screw	8	8.8
51E	Allen screw	8	A2
52	Hex. Screw	4	8.8
53	Flat washer	4	A2
53A	Grower washer	4	A2
54A	Hexagonal nut	4	A2
55A	Stud	4	A2
55B	Stud	4	A2
56	Pin	4	F-522
56A	Pin	2	F-522
56B	Pin	4	A2
61	Key	1	F-114
61A	Key	1	AISI 304
62	Safety nut	2	Steel
63	Safety washer	2	Steel
65	Conical tightening ring	1	Steel
66	Circlip	1	Steel
70	Ball bearings	2	Steel
70A	Needle bearings	2	Steel
70B	Axial bearings	4	Steel
70C	Axial disc	4	Steel
70D	Intermediate disc	2	Steel
80	O-ring	2	70 EPDM
80A	Front cover gasket	1	70 EPDM
80B	O-ring	2	70 EPDM
80E	O-ring	1	MVQ
80F	O-ring	2	FPM
82	Splash ring	2	EPDM
84	Blanking plug	1	72 NBR
85	Oil plug	1	Plastic
86	Peephole	1	Plastic
87	Bleeder	1	Plastic
88	Lip seal	1	72 NBR
89	Lip seal	2	72 NBR

\* Quantity of shims may vary from one pump to another

---

## Насосы — Роторный насос HLR

<http://k-tep.com.ua/>

✉ [k-tep@ukr.net](mailto:k-tep@ukr.net)

■ Office +38 044 2091823

■ МТС +38 066 9076563

■ Киевстар +38 098 3676414

Skype: [k-teppumps](#)

### **Замечания**

*Условия поставки: DDP склад г. Киев*

#### **Заметки**

Время поставки рассчитано согласно дате предложения и изменяется в зависимости от даты подтверждения заказа.

Помещая заказ, Покупатель принимает предложение и все спецификации, характеристики и условия, указанные в данном документе.