



### Application

Due to its sanitary and economical design, HYGINOX SEN pump is used as main process pump in the dairy, beverage, pharmaceutical and cosmetic industries.

The Hyginox SEN pump is a centrifugal stainless steel pump suitable for motor assembly according to the USA NEMA standards.

### Design and features

HYGINOX SEN pump is a range of close-coupled centrifugal pumps with hygienic design, compact and highly efficient. It is made of a cold-formed stainless steel casing, impeller, mechanical seal, pump cover, lantern and shaft.

### Mechanical seal

The Hyginox SEN pump is provided with an internal single mechanical seal. The seal is balanced and has a hygienic design. As standard, the stationary part is in carbon and the rotary part is in silicon carbide, the gaskets are in EPDM. However, when required, both parts of the mechanical seal can be in silicon carbide as well as the gaskets can be in FPM.

### Technical specifications

#### Materials:

Parts in contact with the product	Stainless steel AISI 316L
Other steel parts	Stainless steel AISI 304
Gaskets in contact with the product	EPDM

#### Mechanical seal:

Rotary part	Silicon carbide (SiC)
Stationary part	Carbon (C)
Gaskets	EPDM

External surface finish	Bright polish
Internal surface finish	Ra<0,8 µm

Connections:	CLAMP
--------------	-------

Motor:	Premium Efficiency Nema C Face
--------	--------------------------------

#### Operating limits:

Nominal pressure	10 bar	145 PSI
Temperature range	-10°C to +120 °C	14 °F to 248 °F
	+140°C (SIP, max. 30 min.)	284 °F
Maximum flow	100 m³/h	440 US GPM
Maximum differential head	95 m	310 ft
Maximum speed	3500 rpm	



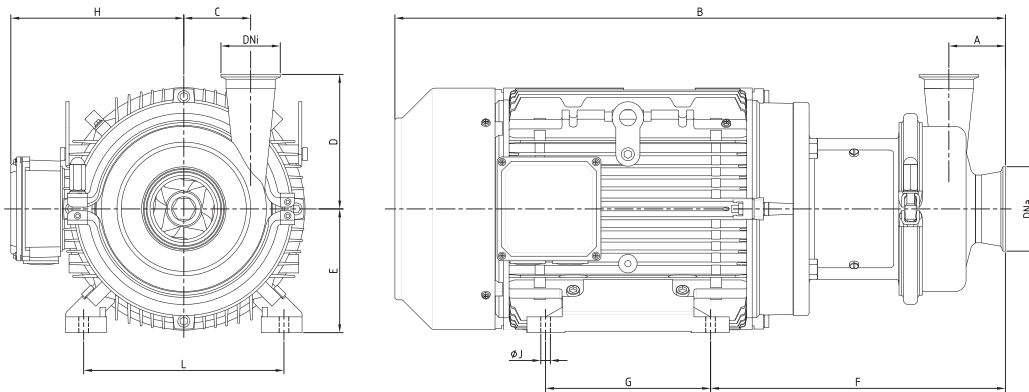
## Options

- Mechanical seal: C/StSt and SiC/SiC.
- Gaskets: FPM and PTFE.
- Drain port.
- Stainless steel motor.
- Trolley and/or control panel.
- Nema High Efficiency motors for T.56C motors up to 2 HP.



## General dimensions

Pump with NEMA Premium Efficiency motor



Pump	HP	Motor	Dna	Dni	A	B	C	D	E	F	G	H	ØJ	L
SEN-15	1	143TC	1 ½"	1 ½"	1,69	17,30	2,17	3,62	3,50	9,57	4,0	5,90	0,34	5,5
	2	145TC	1 ½"	1 ½"	1,69	18,30	2,17	3,62	3,50	9,57	5,0	5,90	0,34	5,5
SEN-20	5	184TC	2"	1 ½"	2,11	22,12	2,91	5,16	4,50	11,83	5,5	7,03	0,41	7,5
	10	215TC	2"	1 ½"	2,11	25,36	2,91	5,16	5,25	12,71	7,0	7,80	0,41	8,5
SEN-26	5	184TC	3"	2"	2,40	22,68	2,83	5,71	4,50	12,40	5,5	7,03	0,41	7,5
	10	215TC	3"	2"	2,40	25,91	2,83	5,71	5,25	13,26	7,0	7,80	0,41	8,5
SEN-28	5	184TC	1 ½"	1 ½"	2,38	22,08	4,17	5,39	4,50	11,79	5,5	7,03	0,41	7,5
	10	215TC	1 ½"	1 ½"	2,38	25,32	4,17	5,39	5,25	12,67	7,0	7,80	0,41	8,5
	20	256TC	1 ½"	1 ½"	2,38	30,95	4,17	5,39	6,25	13,95	10,0	9,96	0,53	10,0
SEN-35	10	215TC	3"	2"	3,05	26,16	4,09	6,42	5,25	13,51	7,0	7,80	0,41	8,5
	20	256TC	3"	2"	3,05	31,79	4,09	6,42	6,25	14,79	10,0	9,96	0,53	10,0
	30	286TC	3"	2"	3,05	34,36	4,09	6,42	7,00	14,79	11,0	10,63	0,53	11,0
SEN-36	10	215TC	4"	3"	2,32	25,44	3,86	7,24	5,25	12,80	7,0	7,80	0,41	8,5
	20	256TC	4"	3"	2,32	31,10	3,86	7,24	6,25	14,10	10,0	9,96	0,53	10,0
	30	286TC	4"	3"	2,32	33,60	3,86	7,24	7,00	14,10	11,0	10,63	0,53	11,0

Dimensions in inches.

FT-HYGINOX SEN.1.EN-0114



---

## Насосы — Центробежный насос Huginox SEN

<http://k-tep.com.ua/>

✉ [k-tep@ukr.net](mailto:k-tep@ukr.net)

■ Office +38 044 2091823

■ МТС +38 066 9076563

■ Киевстар +38 098 3676414

Skype: [k-teppumps](#)

### **Замечания**

*Условия поставки: DDP склад г. Киев*

#### **Заметки**

Время поставки рассчитано согласно дате предложения и изменяется в зависимости от даты подтверждения заказа.

Помещая заказ, Покупатель принимает предложение и все спецификации, характеристики и условия, указанные в данном документе.