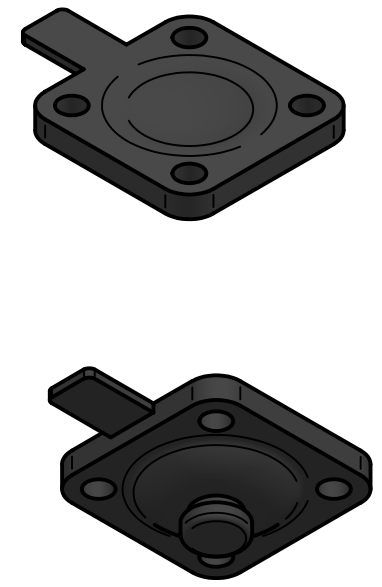
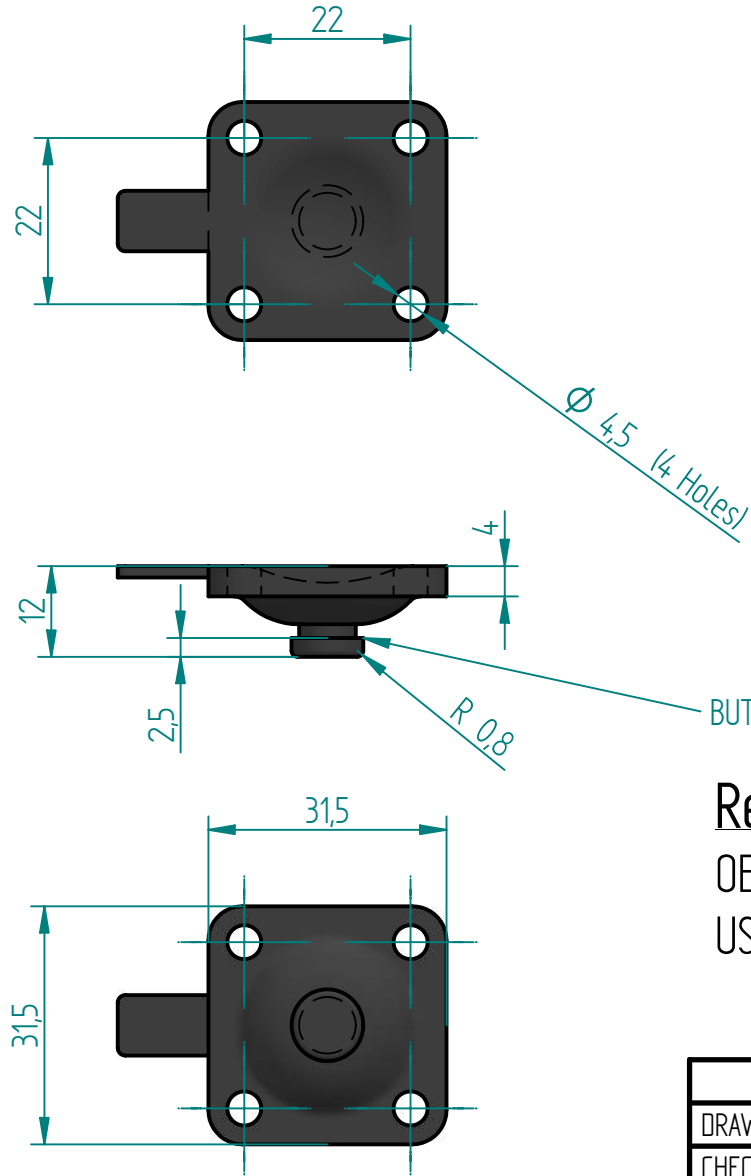



REVISION HISTORY			
REV	DESCRIPTION	DATE	APPROVED



BUTTON TYPE SPIGOT

Replacement Diaphragm for :-
 OEM PART = 600008-M-17
 USED ON 1/2" (DN8,) Diaphragm Valve

	NAME	DATE	 DIAPHRAGM DIRECT	
DRAWN	M. MC KEON	09/25/17		
CHECKED			TITLE	
Material - EPDM			DD03-GE7	
Complies with CFR 177.2600 and Conforms to USP Class VI Biological Reactivity Tests Section #87 and #88			SIZE A	REV
			FOOT PRINT DIMENSIONS	
			FILE NAME: DD03-GE7.dft	
SCALE: 1 : 1		4281/339	SHEET 1 OF 1	

Disclaimer - Diaphragm Direct® does not manufacture, represent, nor sell OEM valves or diaphragms manufactured by any other company. Diaphragm Direct® brand diaphragms are not sponsored by any other manufacturers. Any name, model, part number, brand, image, material or referral is for descriptive purposes only. Diaphragm Direct® brand replacement diaphragms are guaranteed to fit OEM equipment and meet or exceed OEM specifications. Diaphragm Direct® brand replacement diaphragms are covered by the standard Diaphragm Direct® limited product warranty.