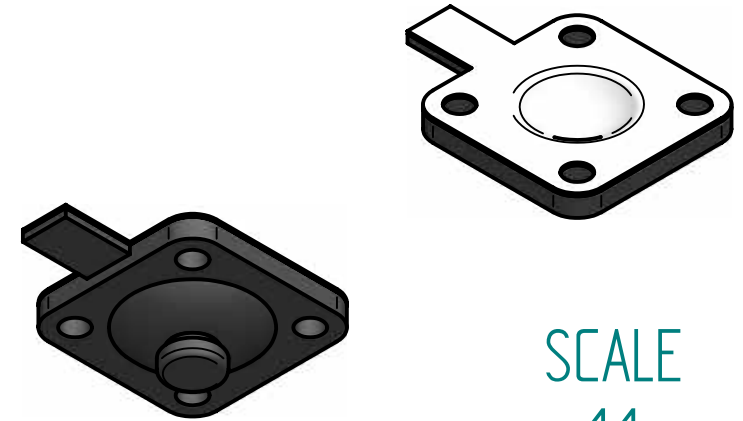
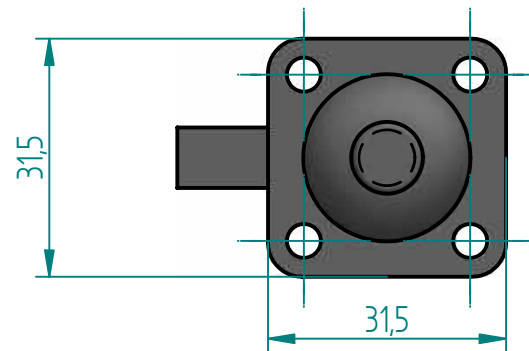
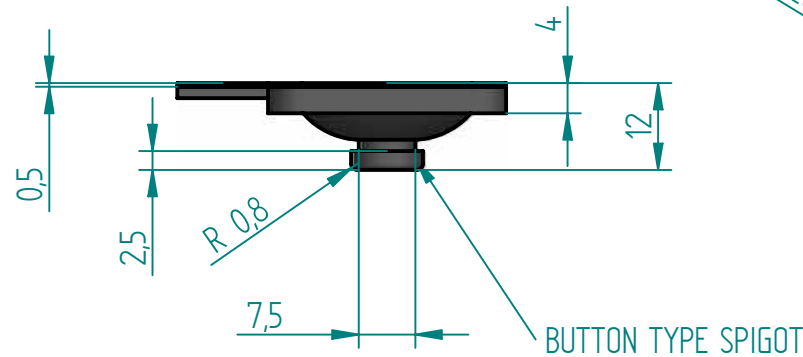
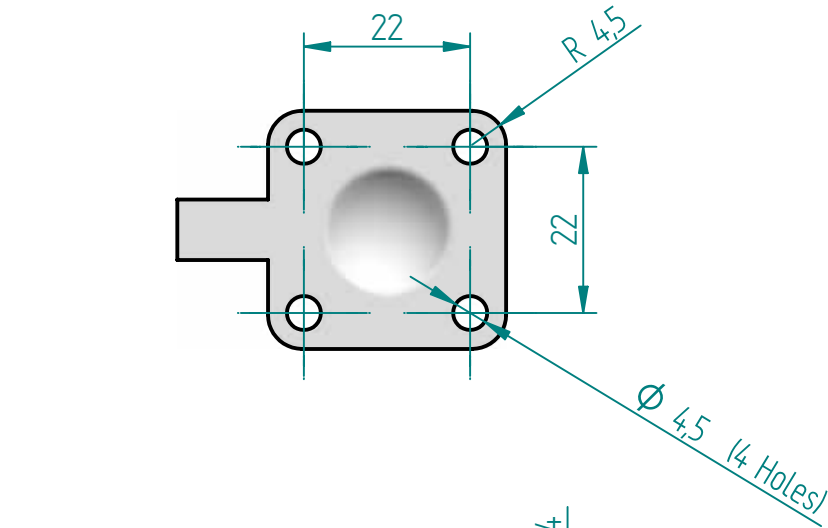


REVISION HISTORY

REV	DESCRIPTION	DATE	APPROVED
-----	-------------	------	----------




SCALE
1:1

Replacement Diaphragm for :-

OEM PART NR. = 600008-M-52

USED ON 1/2" (DN8,) Diaphragm Valve

	NAME	DATE	
DRAWN	M. MC KEON	09/25/17	
CHECKED	M. MC KEON	11/15/17	
<p>Material - <u>PTFE laminate EPDM</u> <u>- DIAPHRAGM</u></p> <p>Complies with CFR 177.2600 and Conforms to USP Class VI Biological Reactivity Tests Section #87 and #88</p>			<p>TITLE</p> <p>DD03-GTFML</p>
SIZE A	<p>FOOT PRINT DIMENSIONS</p>		REV E
<p>FILE NAME: DD03-GTFML.dft</p>			
SCALE: 1 : 1	4281/339	SHEET 1 OF 1	

Disclaimer - Diaphragm Direct® does not manufacture, represent, nor sell OEM valves or diaphragms manufactured by any other company. Diaphragm Direct® brand diaphragms are not sponsored by any other manufacturers. Any name, model, part number, brand, image, material or referral is for descriptive purposes only. Diaphragm Direct® brand replacement diaphragms are guaranteed to fit OEM equipment and meet or exceed OEM specifications. Diaphragm Direct® brand replacement diaphragms are covered by the standard Diaphragm Direct® limited product warranty.