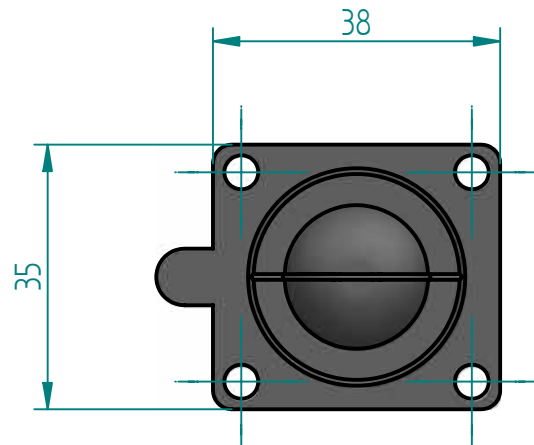
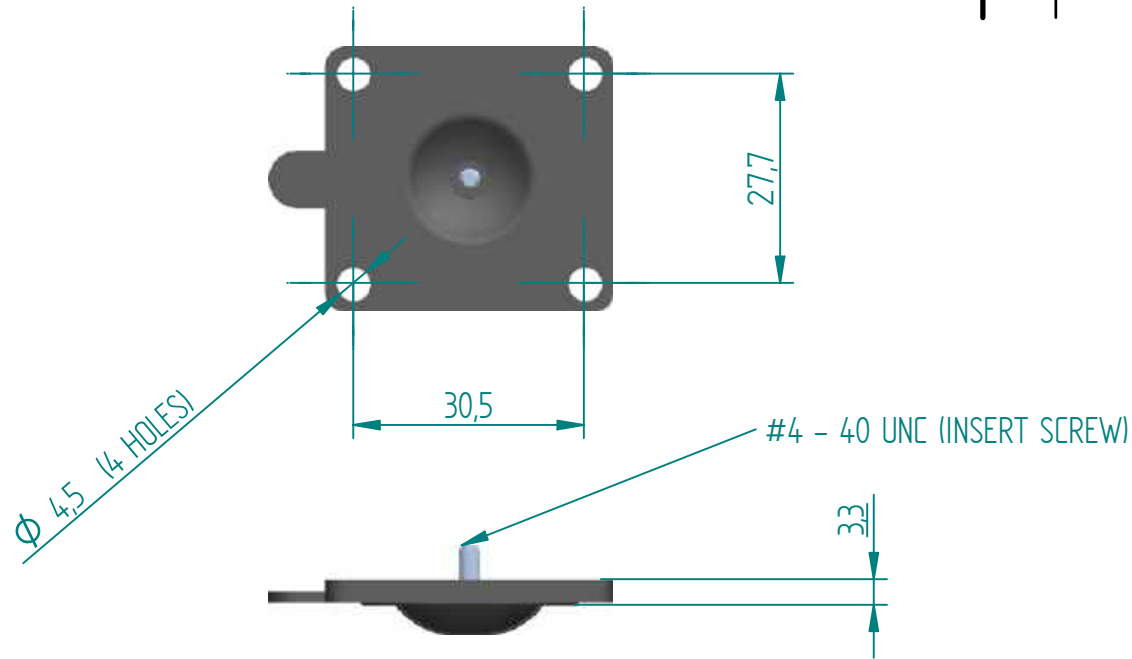


REVISION HISTORY

REV	DESCRIPTION	DATE	APPROVED



**Replacement Diaphragm for :-**

OEM PART = 41502 or 46602

USED ON 1/4", 3/8", 1/2" (DN4,6,8) Diaphragm Valve

	NAME	DATE
DRAWN	M.MC KEON	08/21/14
CHECKED		

**Material - EPDM**

Complies with CFR 177.2600  
and Conforms to  
USP Class VI Biological Reactivity  
Tests Section #87 and #88



TITLE  
**DD03-IE7**

SIZE A	FOOT PRINT DIMENSIONS	REV B

FILE NAME: DD03-IE7.dft

SCALE: 1 : 1    ECO : 0605    SHEET 1 OF 1

Disclaimer - Diaphragm Direct® does not manufacture, represent, nor sell OEM valves or diaphragms manufactured by any other company. Diaphragm Direct® brand diaphragms are not sponsored by any other manufacturers. Any name, model, part number, brand, image, material or referral is for descriptive purposes only. Diaphragm Direct® brand replacement diaphragms are guaranteed to fit OEM equipment and meet or exceed OEM specifications. Diaphragm Direct® brand replacement diaphragms are covered by the standard Diaphragm Direct® limited product warranty.