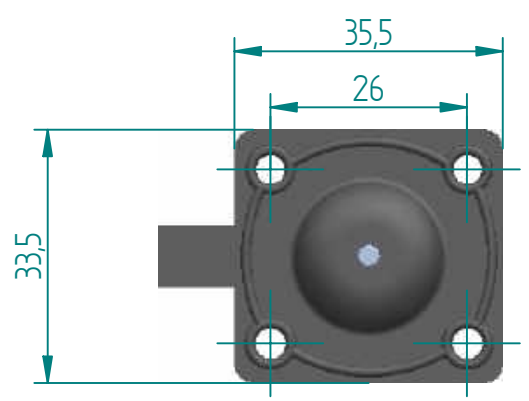
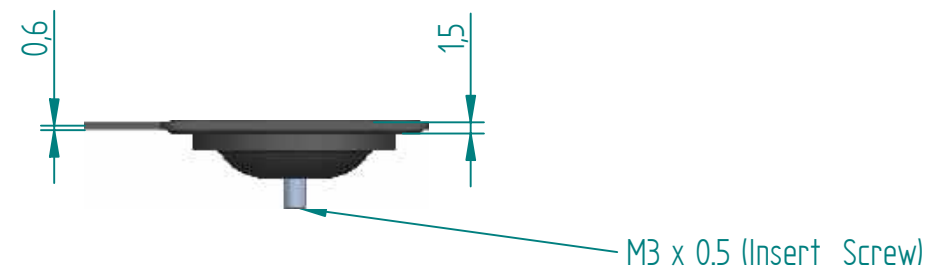
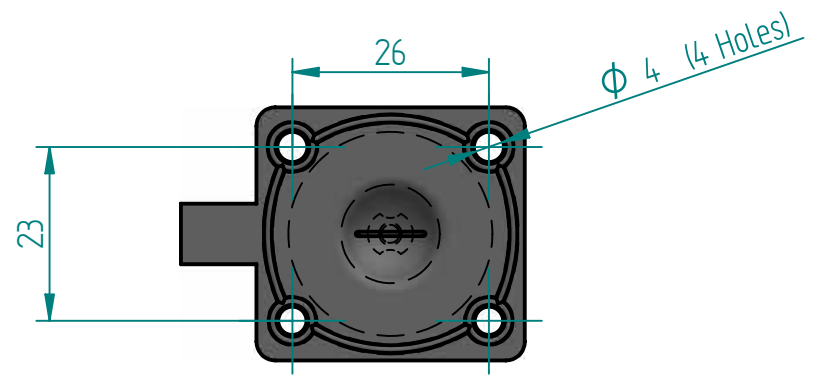


REVISION HISTORY


REV	DESCRIPTION	DATE	APPROVED
C	Changed OEM=BE9 to DA008ER	27-Oct-21	JB



Replacement Diaphragm for :-

OEM PART = DA008ER

USED ON DN8 Diaphragm Valve

	NAME	DATE	 DIAPHRAGM DIRECT
DRAWN	M.MC KEON	10/18/21	
CHECKED			
Material - EPDM			TITLE
Complies with CFR 177.2600 and Conforms to USP Class VI Biological Reactivity Tests Section #87 and #88			DD03-SE7-T
SIZE A		FOOT PRINT DIMENSIONS	
FILE NAME: DD03-SE7-T-C.dft			
SCALE: 1 : 1		ECO:0605	SHEET 1 OF 1

Disclaimer - Diaphragm Direct® does not manufacture, represent, nor sell OEM valves or diaphragms manufactured by any other company. Diaphragm Direct® brand diaphragms are not sponsored by any other manufacturers. Any name, model, part number, brand, image, material or referral is for descriptive purposes only. Diaphragm Direct® brand replacement diaphragms are guaranteed to fit OEM equipment and meet or exceed OEM specifications. Diaphragm Direct® brand replacement diaphragms are covered by the standard Diaphragm Direct® limited product warranty.