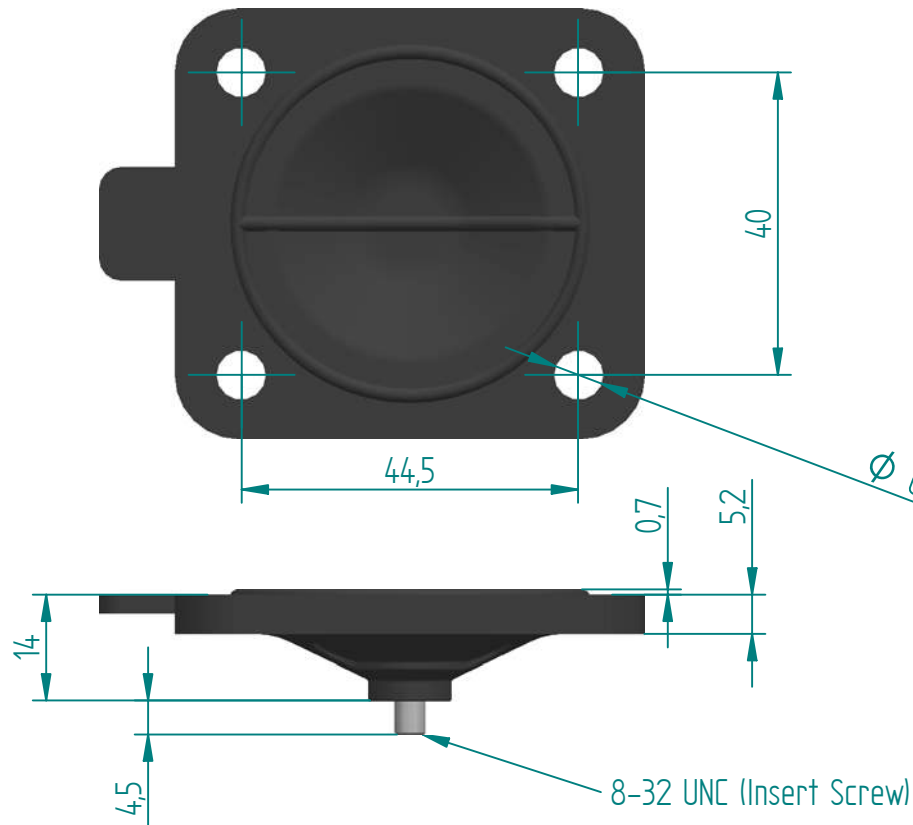
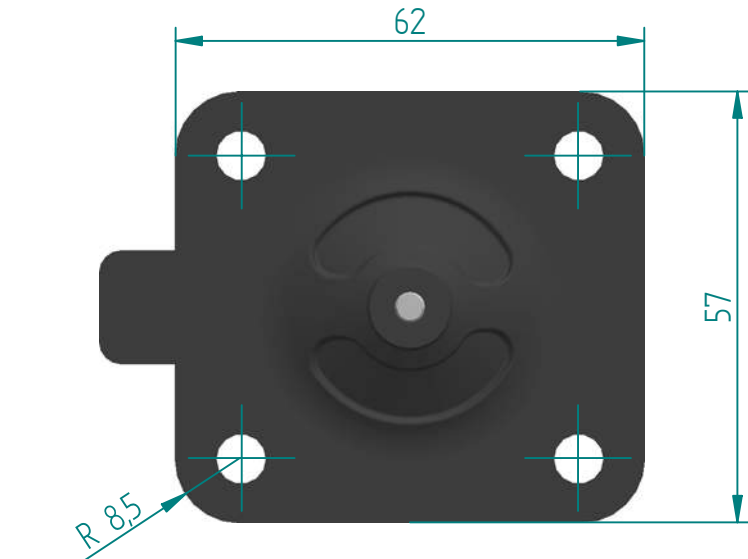


REVISION HISTORY			
REV	DESCRIPTION	DATE	APPROVED



ϕ 6,5 (4 Holes)



Replacement Diaphragm for :-
 OEM PART = 1P12 With Threaded Connection
 USED ON 3/4" (DN20) Diaphragm Valve

	NAME	DATE
DRAWN	M.MC KEON	02/12/18
CHECKED	M.MC KEON	07/15/18

Material - EPDM

Complies with CFR 177.2600
 and Conforms to
 USP Class VI Biological Reactivity
 Tests Section #87 and #88



DD07-AE7

TITLE		REV
SIZE A		FOOT PRINT DIMENSIONS
FILE NAME: DD07-AE7.dft		
SCALE: 1 : 1	1633-09-17-4	SHEET 1 OF 1

Disclaimer - Diaphragm Direct® does not manufacture, represent, nor sell OEM valves or diaphragms manufactured by any other company. Diaphragm Direct® brand diaphragms are not sponsored by any other manufacturers. Any name, model, part number, brand, image, material or referral is for descriptive purposes only. Diaphragm Direct® brand replacement diaphragms are guaranteed to fit OEM equipment and meet or exceed OEM specifications. Diaphragm Direct® brand replacement diaphragms are covered by the standard Diaphragm Direct® limited product warranty.