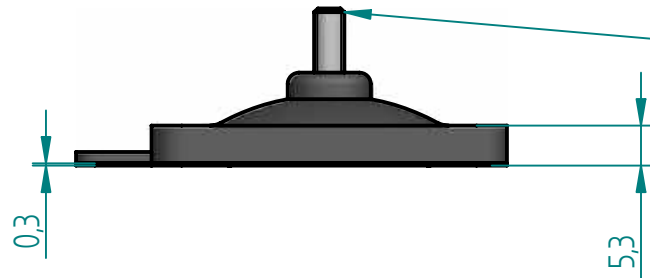
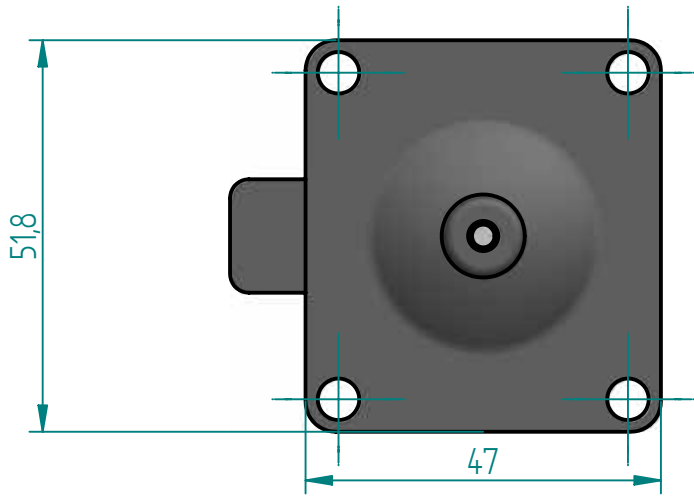
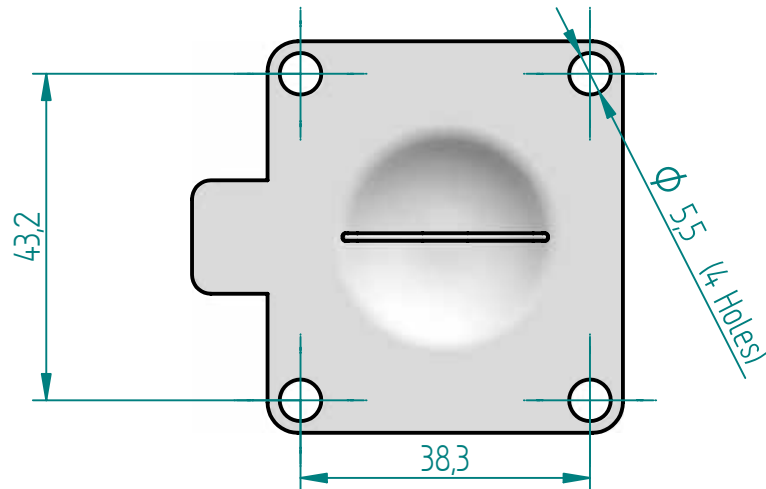


REVISION HISTORY


REV	DESCRIPTION	DATE	APPROVED
F	Kidney features removed from Dome.	12/03/22	JB



M4x0.7 INSERT SCREW



Replacement Diaphragm for :-
 OEM PART NR. = 600010-M-52
 USED ON 3/4" (DN10-15) Diaphragm Valve

	NAME	DATE	DIAPHRAGM DIRECT	
DRAWN	M. MC KEON	03/12/22		
CHECKED				
Material -			TITLE	
<u>PTFE laminate EPDM</u>			DD07-GTFML	
<u>- DIAPHRAGM</u>				
Complies with CFR 177.2600 and Conforms to			SIZE	REV
USP Class VI Biological Reactivity			A	F
Tests Section #87 and #88			FOOT PRINT DIMENSIONS	
FILE NAME: DD07-GTFML-F.dft			SCALE: 1 : 1	JOB: 50
SHEET 1 OF 1				

Disclaimer- Diaphragm Direct® does not manufacture, represent, nor sell OEM valves or diaphragms manufactured by any other company. Diaphragm Direct® brand diaphragms are not sponsored by any other manufacturers. Any name, model, part number, brand, image, material or referral is for descriptive purposes only. Diaphragm Direct® brand replacement diaphragms are guaranteed to fit OEM equipment and meet or exceed OEM specifications. Diaphragm Direct® brand replacement diaphragms are covered by the standard Diaphragm Direct® limited product warranty.