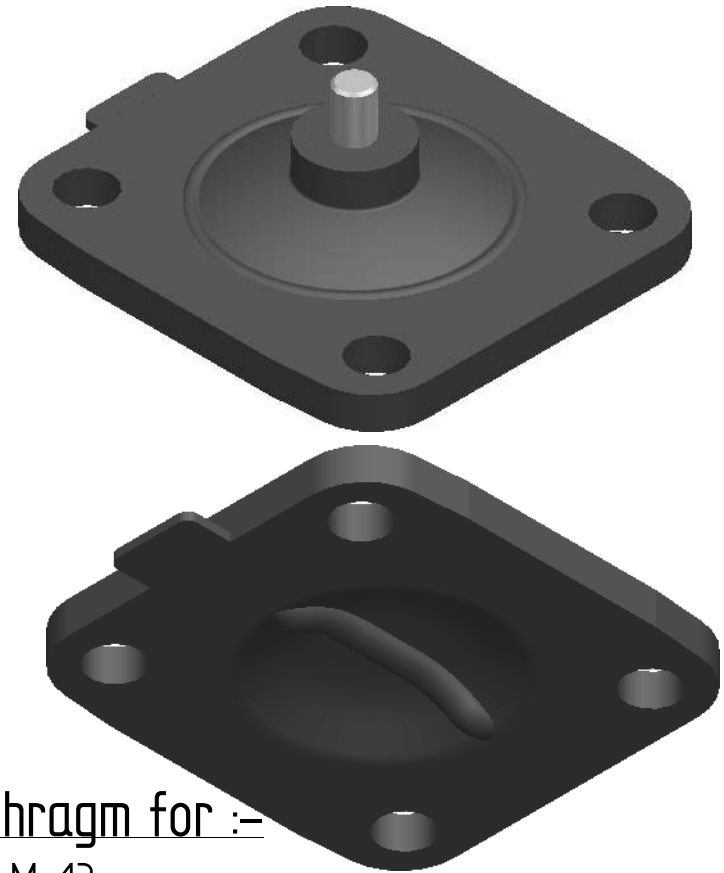



REVISION HISTORY			
REV	DESCRIPTION	DATE	APPROVED



**Replacement Diaphragm for :-**  
 OEM PART = 600025-M-13  
 USED ON 1" (DN25) Diaphragm Valve

Disclaimer - Diaphragm Direct® does not manufacture, represent, nor sell OEM valves or diaphragms manufactured by any other company. Diaphragm Direct® brand diaphragms are not sponsored by any other manufacturers. Any name, model, part number, brand, image, material or referral is for descriptive purposes only. Diaphragm Direct® brand replacement diaphragms are guaranteed to fit OEM equipment and meet or exceed OEM specifications. Diaphragm Direct® brand replacement diaphragms are covered by the standard Diaphragm Direct® limited product warranty.

	NAME	DATE	 <b>DIAPHRAGM DIRECT</b>
DRAWN	Michael McKeon	11/22/17	
CHECKED	Michael McKeon	11/22/17	
<b>Material - EPDM</b>			TITLE
Complies with CFR 177.2600 and Conforms to USP Class VI Biological Reactivity Tests Section #87 and #88			<b>DD10-GE7</b>
SIZE A	<b>FOOT PRINT DIMENSIONS</b>		REV
	FILE NAME: DD10-GE7.dft		
SCALE: 1 : 1	4789/339	SHEET 1 OF 1	