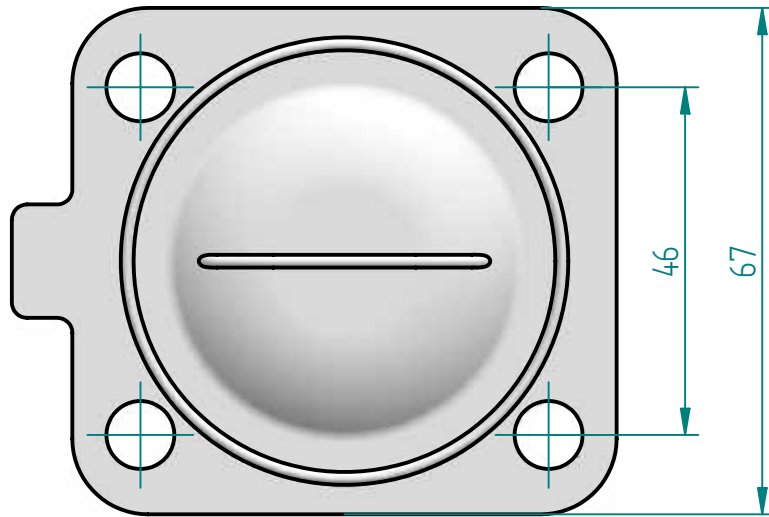
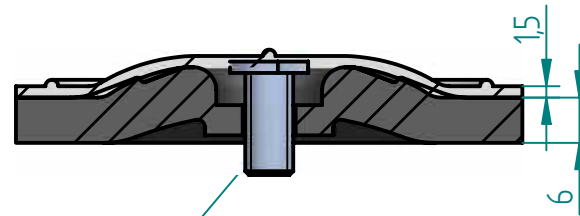


REVISION HISTORY

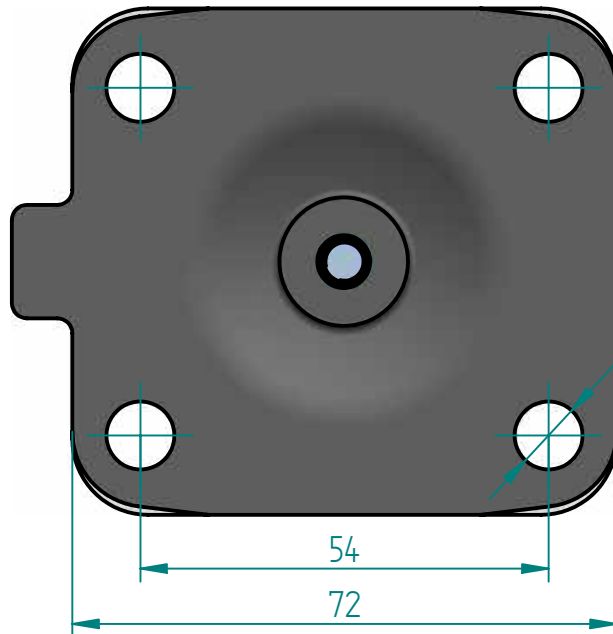
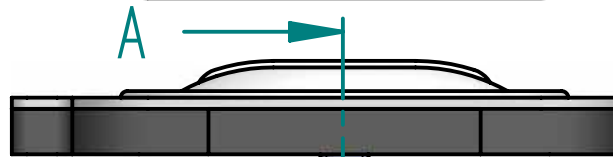
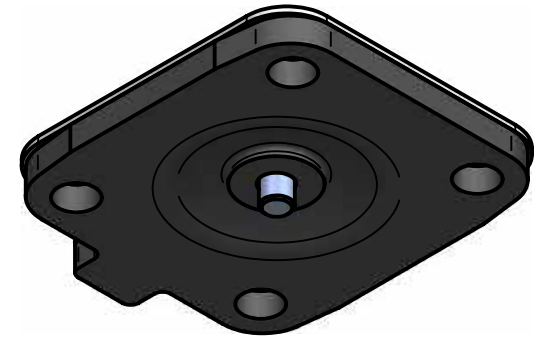
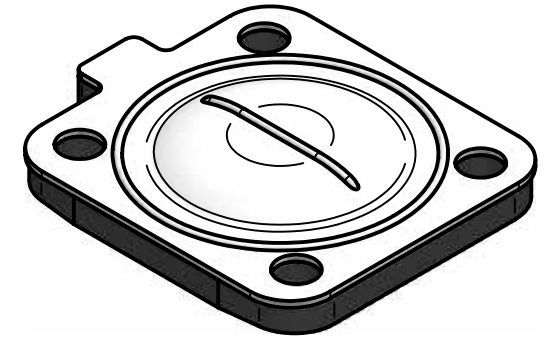
REV	DESCRIPTION	DATE	APPROVED
-----	-------------	------	----------



SECTION A-A



1/4" - 20 UNC (INSERT SCREW)



Ø 9 (4 Holes)

Replacement Diaphragm for :-
 OEM PART = 600025-M-5E
 USED ON 1" (DN25) Diaphragm Valve

	NAME	DATE
DRAWN	M. MC KEON	08/30/14
CHECKED		



Material -
EPDM BACKING
PTFE - DIAPHRAGM
 Complies with CFR 177.2600
 and Conforms to
 USP Class VI Biological Reactivity
 Tests Section #87 and #88

TITLE DD10-GTFM-E		
SIZE A	FOOT PRINT DIMENSIONS	REV B
FILE NAME: DD10-GTFM-E.dft		
SCALE: 1 : 1	ECO:0605	SHEET 1 OF 1

Disclaimer - Diaphragm Direct® does not manufacture, represent, nor sell OEM valves or diaphragms manufactured by any other company. Diaphragm Direct® brand diaphragms are not sponsored by any other manufacturers. Any name, model, part number, brand, image, material or referral is for descriptive purposes only. Diaphragm Direct® brand replacement diaphragms are guaranteed to fit OEM equipment and meet or exceed OEM specifications. Diaphragm Direct® brand replacement diaphragms are covered by the standard Diaphragm Direct® limited product warranty.