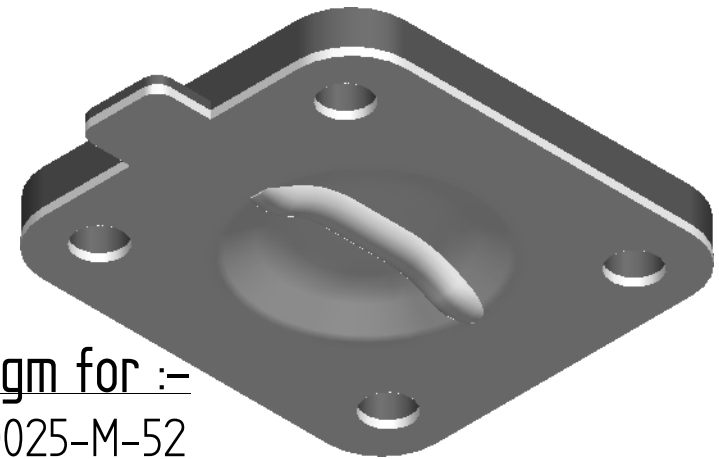


Scale  
1:1



Replacement Diaphragm for :-  
OEM PART NUMBER = 600025-M-52  
USED ON 1" (DN25) Diaphragm Valve

$\phi$  8.5 (4 HOLES)

	NAME	DATE
DRAWN	M.MC KEON	08/29/14
CHECKED		

**Material -**  
**EPDM BACKING**  
**PTFE - DIAPHRAGM**

Complies with CFR 177.2600  
and Conforms to  
USP Class VI Biological Reactivity  
Tests Section #87 and #88



TITLE  
**DD10-GTFM**

SIZE A4	<b>FOOT PRINT DIMENSIONS</b>	REV B
------------	------------------------------	----------

FILE NAME: DD10-GTFM.dft

SCALE: 1 : 1	ECO:0605	SHEET 1 OF 1
--------------	----------	--------------

Disclaimer - Diaphragm Direct® does not manufacture, represent, nor sell OEM valves or diaphragms manufactured by any other company. Diaphragm Direct® brand diaphragms are not sponsored by any other manufacturers. Any name, model, part number, brand, image, material or referral is for descriptive purposes only. Diaphragm Direct® brand replacement diaphragms are guaranteed to fit OEM equipment and meet or exceed OEM specifications. Diaphragm Direct® brand replacement diaphragms are covered by the standard Diaphragm Direct® limited product warranty.