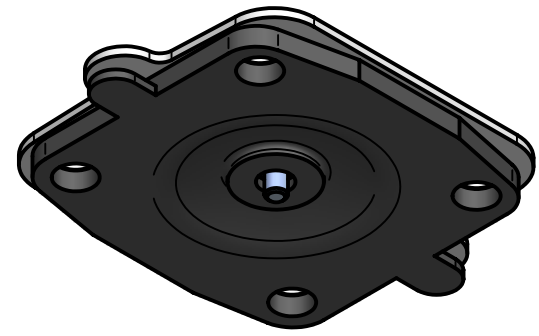
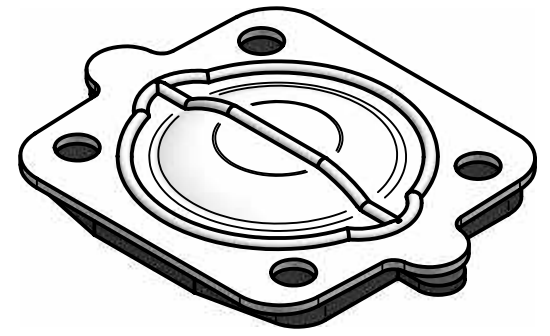
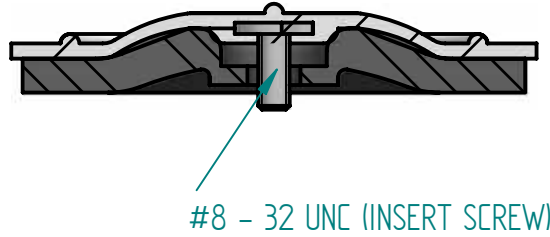



REVISION HISTORY			
REV	DESCRIPTION	DATE	APPROVED

SECTION A-A



SCALE
1:1.33

Replacement Diaphragm for :-
 OEM PART = 42178 or 48073
 USED ON 1" (DN25) Diaphragm Valve

	NAME	DATE	 DIAPHRAGM[®] DIRECT	
DRAWN	M. MC KEON	08/21/14		
CHECKED			TITLE	
Material - EPDM BACKING TFM - DIAPHRAGM			DD10-ITFM	
Complies with CFR 177.2600 and Conforms to USP Class VI Biological Reactivity Tests Section #87 and #88			SIZE A	FOOT PRINT DIMENSIONS
			FILE NAME: DD10-ITFM.dft	REV B
SCALE: 1 : 1		ECO:0605	SHEET 1 OF 1	

Disclaimer - Diaphragm Direct® does not manufacture, represent, nor sell OEM valves or diaphragms manufactured by any other company. Diaphragm Direct® brand diaphragms are not sponsored by any other manufacturers. Any name, model, part number, brand, image, material or referral is for descriptive purposes only. Diaphragm Direct® brand replacement diaphragms are guaranteed to fit OEM equipment and meet or exceed OEM specifications. Diaphragm Direct® brand replacement diaphragms are covered by the standard Diaphragm Direct® limited product warranty.