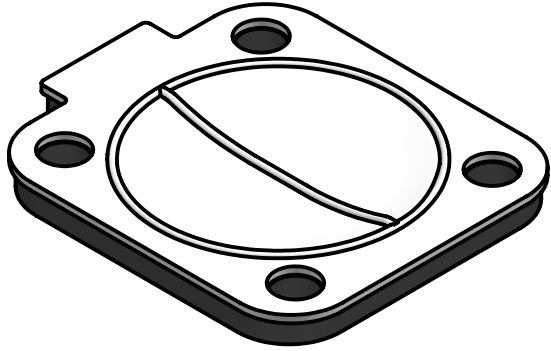
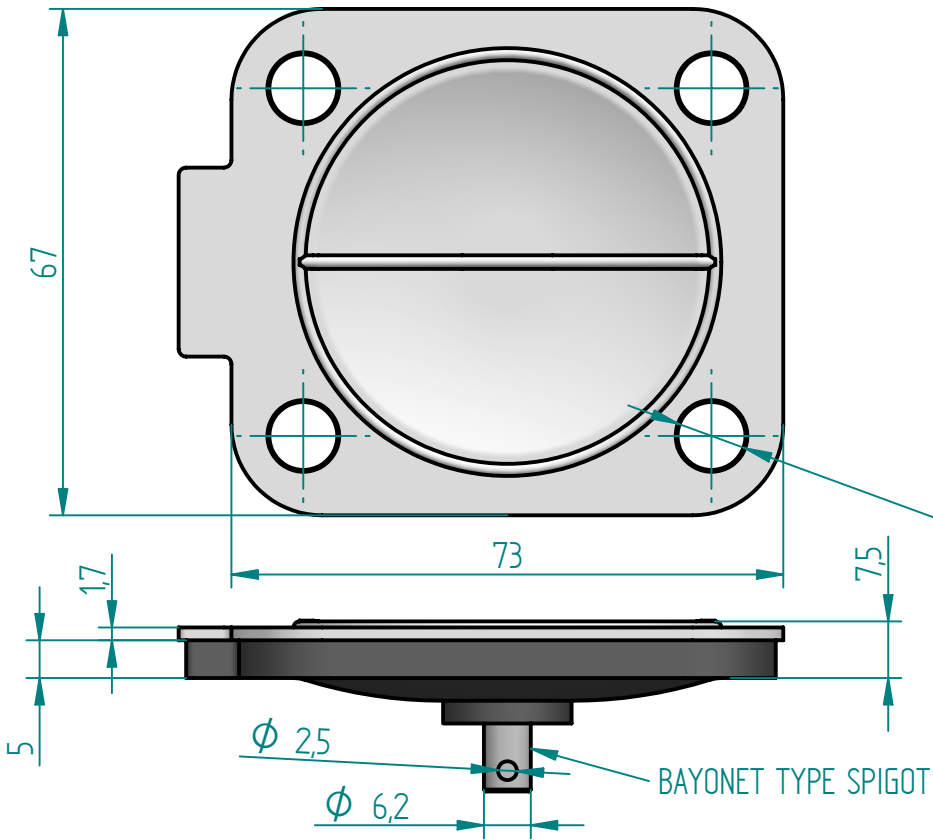
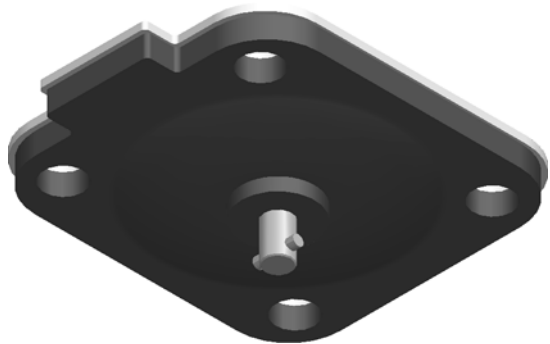


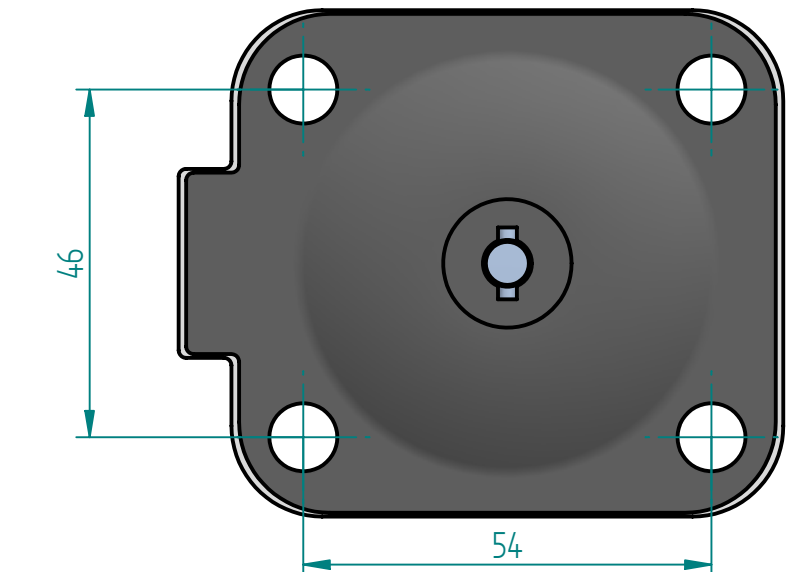
REVISION HISTORY			
REV	DESCRIPTION	DATE	APPROVED
C	OEM PART changed from 1.000-P2 to DA025SR	05/12/21	JB




SCALE
1:1.25



Replacement Diaphragm for :-
 OEM PART = DA025SR
 USED ON 1" (DN25) Diaphragm Valve



	NAME	DATE	 DIAPHRAGM DIRECT	
DRAWN	M. MC KEON	12/05/21	TITLE <h1>DD10-STFM</h1>	
CHECKED				
Material - EPDM BACKING TFM - DIAPHRAGM			SIZE A FOOT PRINT DIMENSIONS	
Complies with CFR 177.2600 and Conforms to USP Class VI Biological Reactivity Tests Section #87 and #88			FILE NAME: DD10-STFM.dft	
			SCALE: 1 : 1	ECO:0605 SHEET 1 OF 1

Disclaimer - Diaphragm Direct® does not manufacture, represent, nor sell OEM valves or diaphragms manufactured by any other company. Diaphragm Direct® brand diaphragms are not sponsored by any other manufacturers. Any name, model, part number, brand, image, material or referral is for descriptive purposes only. Diaphragm Direct® brand replacement diaphragms are guaranteed to fit OEM equipment and meet or exceed OEM specifications. Diaphragm Direct® brand replacement diaphragms are covered by the standard Diaphragm Direct® limited product warranty.