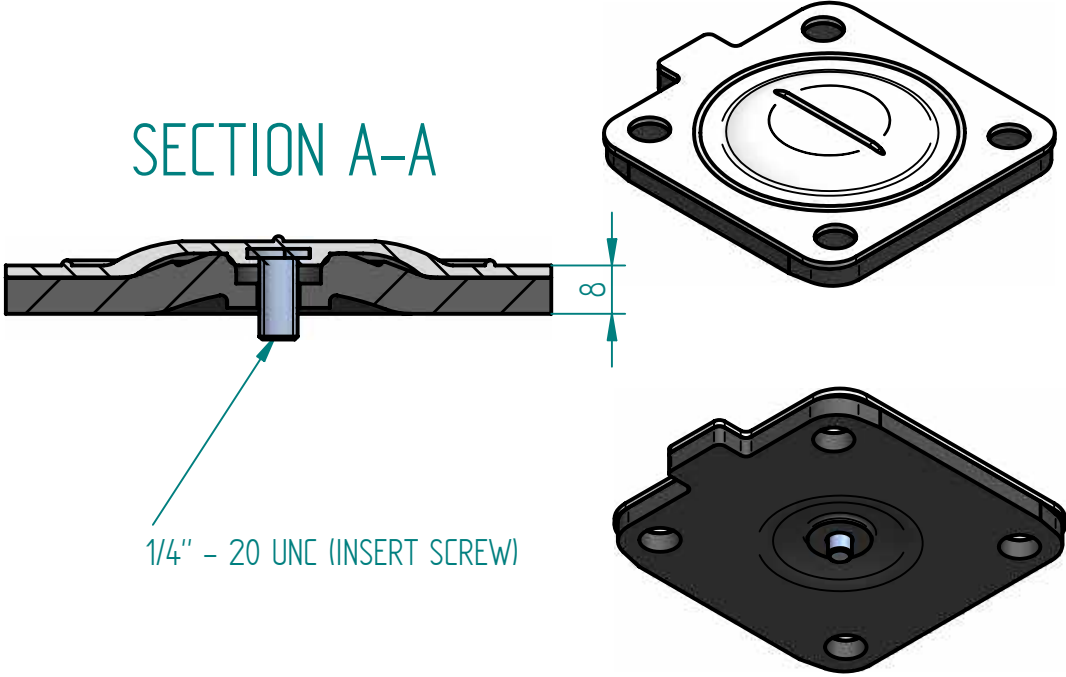


REVISION HISTORY			
REV	DESCRIPTION	DATE	APPROVED

SECTION A-A




1/4" - 20 UNC (INSERT SCREW)

Replacement Diaphragm for :-

OEM PART = 600040-M-5E

USED ON 1.5" (DN40) Diaphragm Valve

	NAME	DATE	 DIAPHRAGM DIRECT
DRAWN	M. MC KEON	08/30/14	
CHECKED			
Material - EPDM BACKING PTFE - DIAPHRAGM Complies with CFR 177.2600 and Conforms to USP Class VI Biological Reactivity Tests Section #87 and #88			TITLE DD15-GTFM-E
SIZE A	FOOT PRINT DIMENSIONS		REV B
FILE NAME: DD15-GTFM-E.dft			
SCALE: 1 : 1	ECO:0605	SHEET 1 OF 1	

Disclaimer - Diaphragm Direct® does not manufacture, represent, nor sell OEM valves or diaphragms manufactured by any other company. Diaphragm Direct® brand diaphragms are not sponsored by any other manufacturers. Any name, model, part number, brand, image, material or referral is for descriptive purposes only. Diaphragm Direct® brand replacement diaphragms are guaranteed to fit OEM equipment and meet or exceed OEM specifications. Diaphragm Direct® brand replacement diaphragms are covered by the standard Diaphragm Direct® limited product warranty.