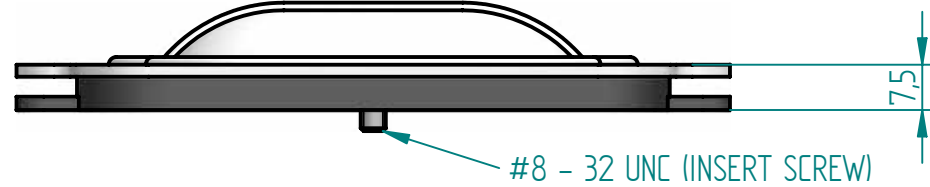
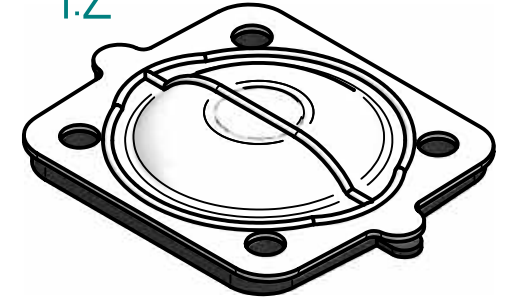
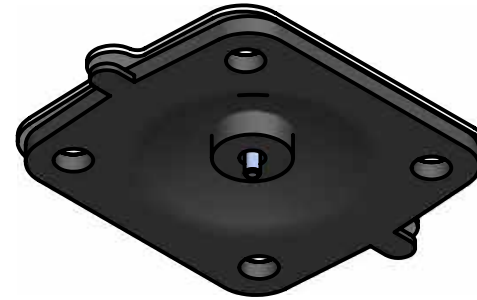
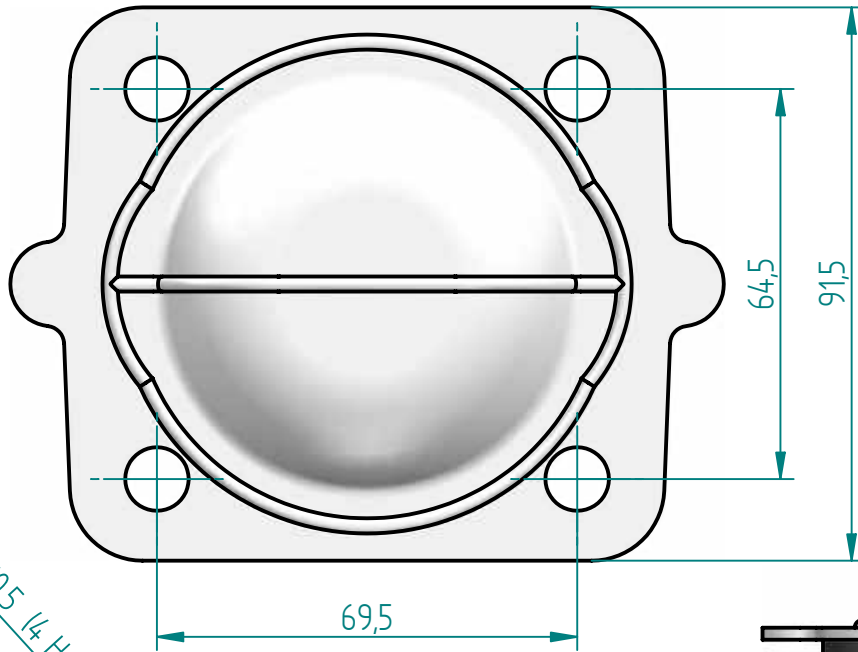


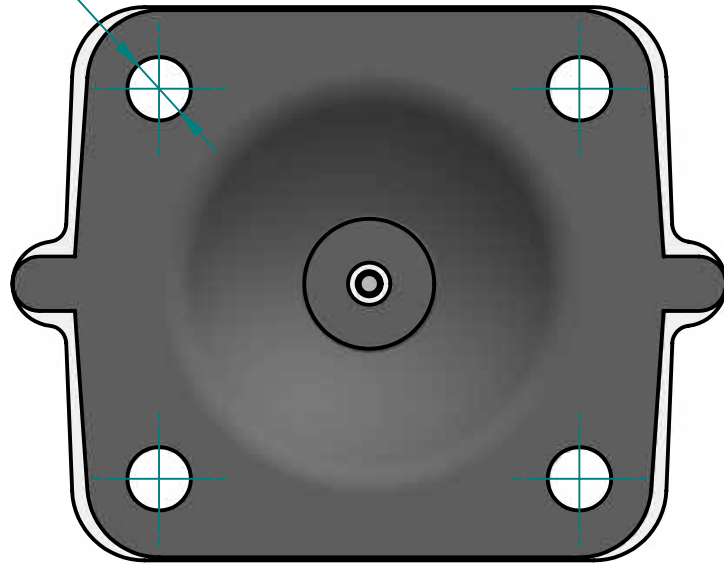
REVISION HISTORY

REV	DESCRIPTION	DATE	APPROVED

SCALE  
1:2



Ø 105 (4 Holes)



**Replacement Diaphragm for :-**

OEM PART = 42179 or 48074

USED ON 1.5" (DN40) Diaphragm Valve

	NAME	DATE
DRAWN	M. MC KEON	08/21/14
CHECKED		



**Material -**  
**EPDM BACKING**  
**TFM - DIAPHRAGM**

TITLE  
**DD15-ITFM**

Complies with CFR 177.2600  
and Conforms to  
USP Class VI Biological Reactivity  
Tests Section #87 and #88

SIZE A	<b>FOOT PRINT DIMENSIONS</b>	REV B
-----------	------------------------------	----------

FILE NAME: DD15-ITFM.dft

SCALE: 1 : 1.25	ECC:0605	SHEET 1 OF 1
-----------------	----------	--------------

Disclaimer - Diaphragm Direct® does not manufacture, represent, nor sell OEM valves or diaphragms manufactured by any other company. Diaphragm Direct® brand diaphragms are not sponsored by any other manufacturers. Any name, model, part number, brand, image, material or referral is for descriptive purposes only. Diaphragm Direct® brand replacement diaphragms are guaranteed to fit OEM equipment and meet or exceed OEM specifications. Diaphragm Direct® brand replacement diaphragms are covered by the standard Diaphragm Direct® limited product warranty.