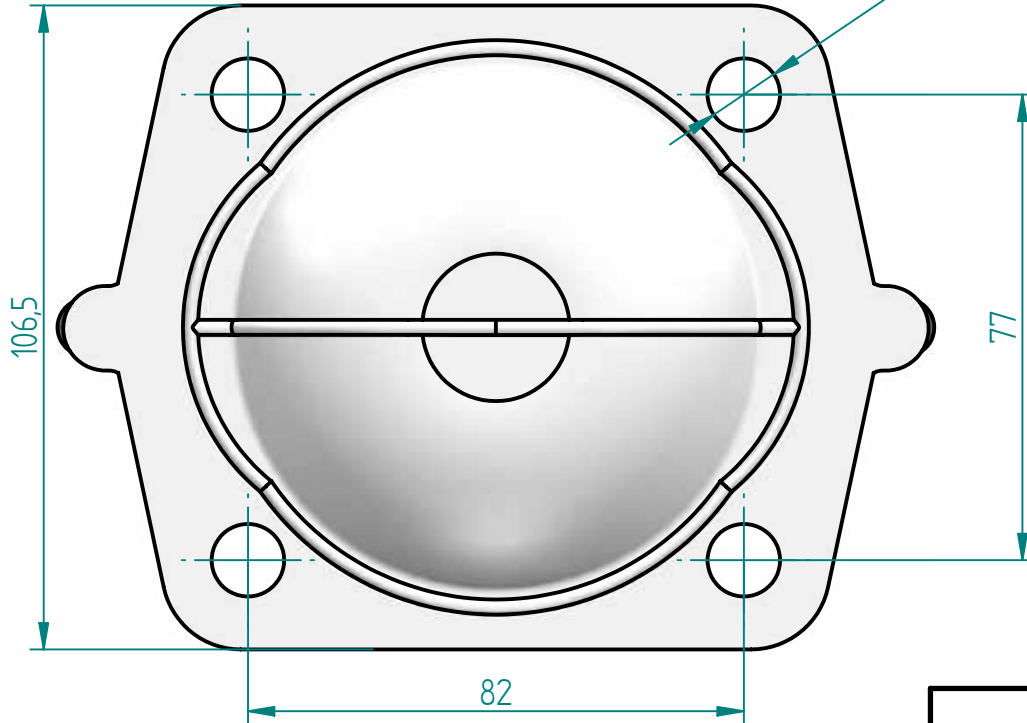


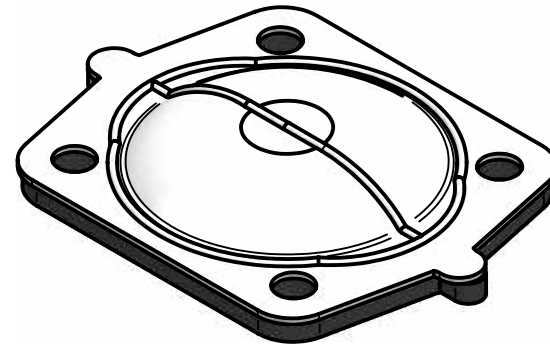
#8-32 UNC (INSERT SCREW)

$\phi$  12 14 Holes

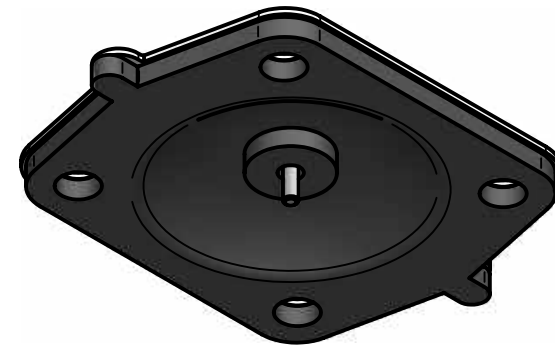


SCALE  
1:1.25

REVISION HISTORY			
REV	DESCRIPTION	DATE	APPROVED



SCALE  
1:2



Replacement Diaphragm for :-  
OEM PART = 42180 or 48075  
USED ON 2" (DN50) Diaphragm Valve

	NAME	DATE
DRAWN	M. MC KEON	08/21/14
CHECKED		



**Material -**  
**EPDM BACKING**  
**TFM - DIAPHRAGM**

TITLE  
**DD20-ITFM**

Complies with CFR 177.2600  
and Conforms to  
USP Class VI Biological Reactivity  
Tests Section #87 and #88

SIZE	FOOT PRINT DIMENSIONS	REV
A		B

FILE NAME: DD20-ITFM.dft

SCALE: 1 : 1.25	ECC:0605	SHEET 1 OF 1
-----------------	----------	--------------

Disclaimer - Diaphragm Direct® does not manufacture, represent, nor sell OEM valves or diaphragms manufactured by any other company. Diaphragm Direct® brand diaphragms are not sponsored by any other manufacturers. Any name, model, part number, brand, image, material or referral is for descriptive purposes only. Diaphragm Direct® brand replacement diaphragms are guaranteed to fit OEM equipment and meet or exceed OEM specifications. Diaphragm Direct® brand replacement diaphragms are covered by the standard Diaphragm Direct® limited product warranty.