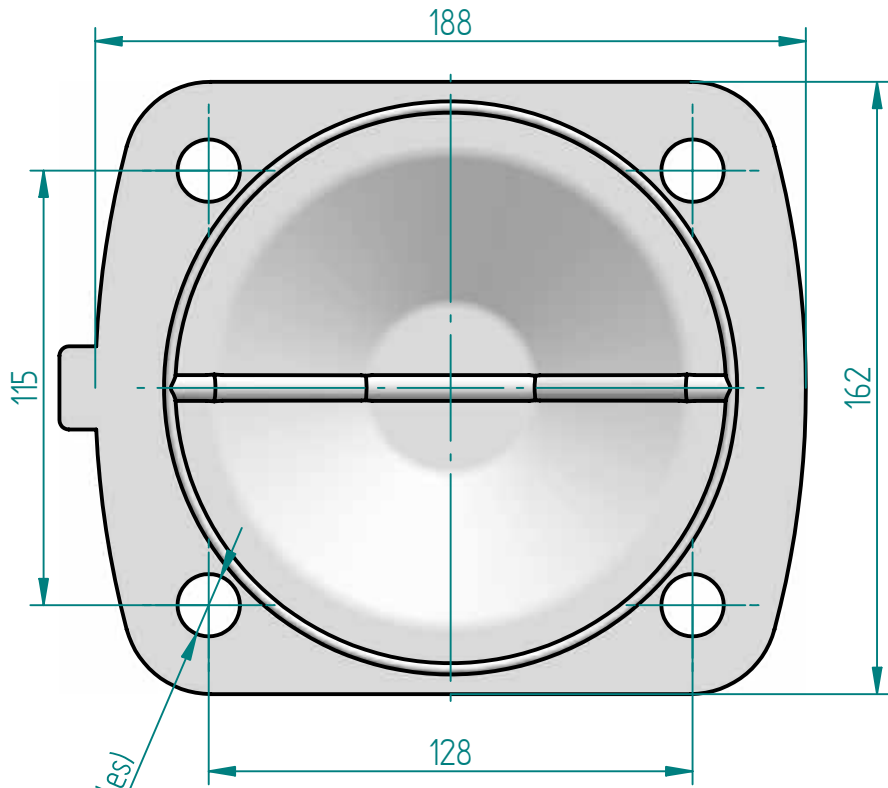
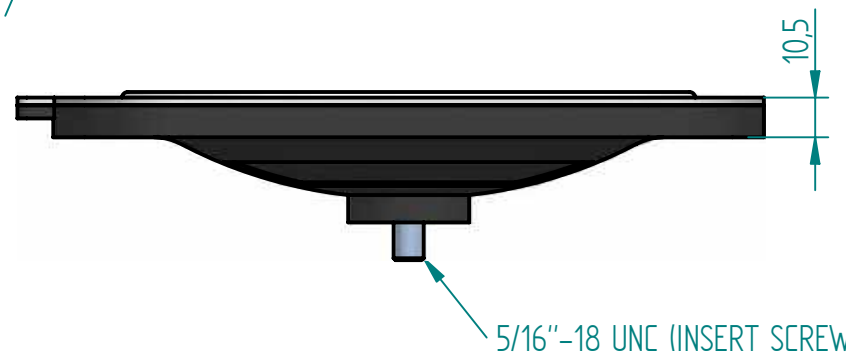


REVISION HISTORY

REV	DESCRIPTION	DATE	APPROVED
-----	-------------	------	----------



$\phi$  16.5 (4 Holes)



**Replacement Diaphragm for :-**  
 OEM PART NUMBER = 600080-M-52  
 USED ON 3" (DN80) Diaphragm Valve

	NAME	DATE		
DRAWN	M. MC KEON	08/21/14		
CHECKED			TITLE <b>DD30-GTFML</b> (Same as DD25-GFTML)	
<b>Material -</b> <b>PTFE laminate EPDM</b> <b>- DIAPHRAGM</b>			SIZE A	FOOT PRINT DIMENSIONS REV A
Complies with CFR 177.2600 and Conforms to USP Class VI Biological Reactivity Tests Section #87 and #88			FILE NAME: DD30-GTFML.dft	
			SCALE: 1 : 2 (mm)	ECO:0605 SHEET 1 OF 1

Disclaimer - Diaphragm Direct® does not manufacture, represent, nor sell OEM valves or diaphragms manufactured by any other company. Diaphragm Direct® brand diaphragms are not sponsored by any other manufacturers. Any name, model, part number, brand, image, material or referral is for descriptive purposes only. Diaphragm Direct® brand replacement diaphragms are guaranteed to fit OEM equipment and meet or exceed OEM specifications. Diaphragm Direct® brand replacement diaphragms are covered by the standard Diaphragm Direct® limited product warranty.