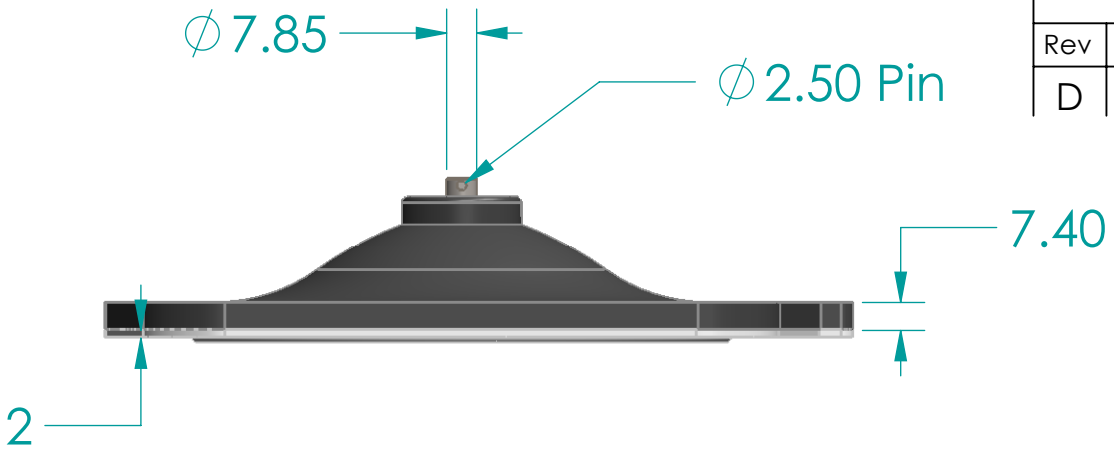
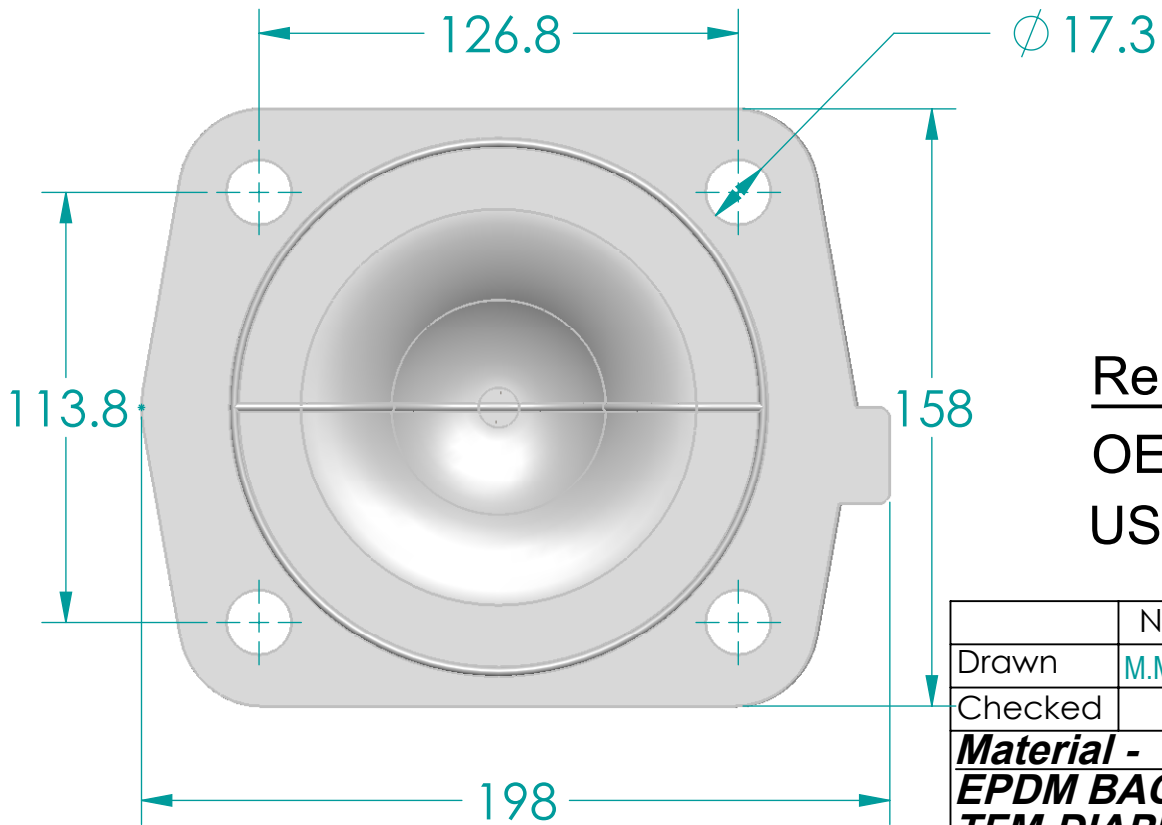


Revision History

| Rev | Description | Date | Approved |
|-----|---------------------------------------|----------|----------|
| D | Updated Design & NEW Part No. DA080SR | 19/12/21 | JB |



Scale
1:4



Replacement Diaphragm for:-
OEM PART = DA080SR
USED ON 3" (DN80) Diaphragm Valve

| | | | |
|--|-----------------------|--------------|------------------|
| | Name | Date | |
| Drawn | M.Mc Keon | 05/12/21 | |
| Checked | | | TITLE |
| Material - EPDM BACKING TFM-DIAPHRAGM Complies with CFR 177.2600 and Conforms to USP Class VI Biological Reactivity Tests Section #87 and #88 | | | DD30-STFM |
| Size | FOOT PRINT DIMENSIONS | Rev | |
| A | | D | |
| File Name- | | | DD30-STFM RevD |
| SCALE: 1:2 | | Sheet 1 of 1 | |

Disclaimer - Diaphragm Direct® does not manufacture, represent, nor sell OEM valves or diaphragms manufactured by any other company. Diaphragm Direct® brand diaphragms are not sponsored by any other manufacturers. Any name, model, part number, brand, image, material or referral is for descriptive purposes only. Diaphragm Direct® brand replacement diaphragms are guaranteed to fit OEM equipment and meet or exceed OEM specifications. Diaphragm Direct® brand replacement diaphragms are covered by the standard Diaphragm Direct® limited product warranty.