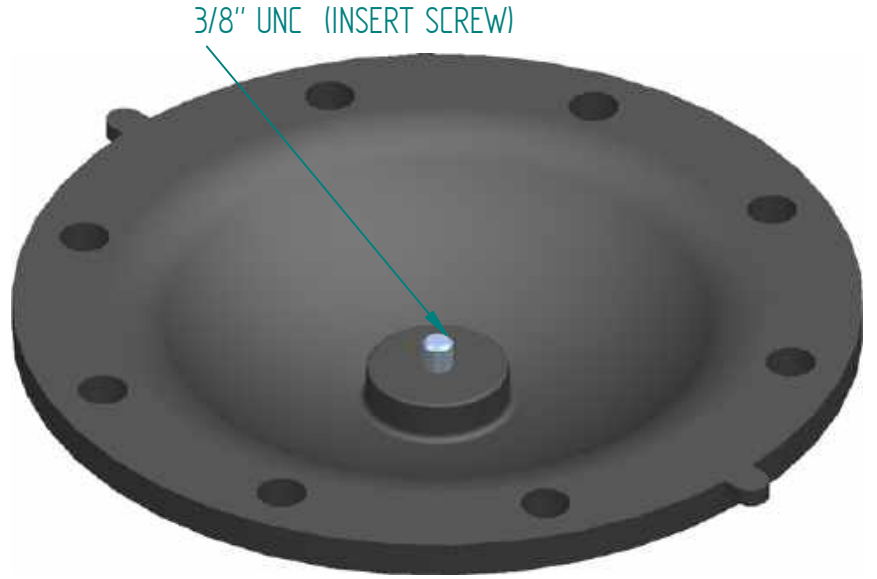


REVISION HISTORY			
REV	DESCRIPTION	DATE	APPROVED



Replacement Diaphragm for :-
 OEM PART = 41287 or 47003
 USED ON 4" (DN100) Diaphragm Valves.

Disclaimer - Diaphragm Direct® does not manufacture, represent, nor sell OEM valves or diaphragms manufactured by any other company. Diaphragm Direct® brand diaphragms are not sponsored by any other manufacturers. Any name, model, part number, brand, image, material or referral is for descriptive purposes only. Diaphragm Direct® brand replacement diaphragms are guaranteed to fit OEM equipment and meet or exceed OEM specifications. Diaphragm Direct® brand replacement diaphragms are covered by the standard Diaphragm Direct® limited product warranty.

	NAME	DATE		
DRAWN	M.McKEON	09/29/14		
CHECKED				
Material - EPDM			TITLE DD40-IE7	
Complies with CFR 177.2600 and Conforms to USP Class VI Biological Reactivity Tests Section #87 and #88			SIZE A4	REV B
			FOOT PRINT DIMENSIONS	
			FILE NAME: DD40-IE7.dft	
SCALE: 1:2 (mm)		ECO:0605	SHEET 1 OF 1	