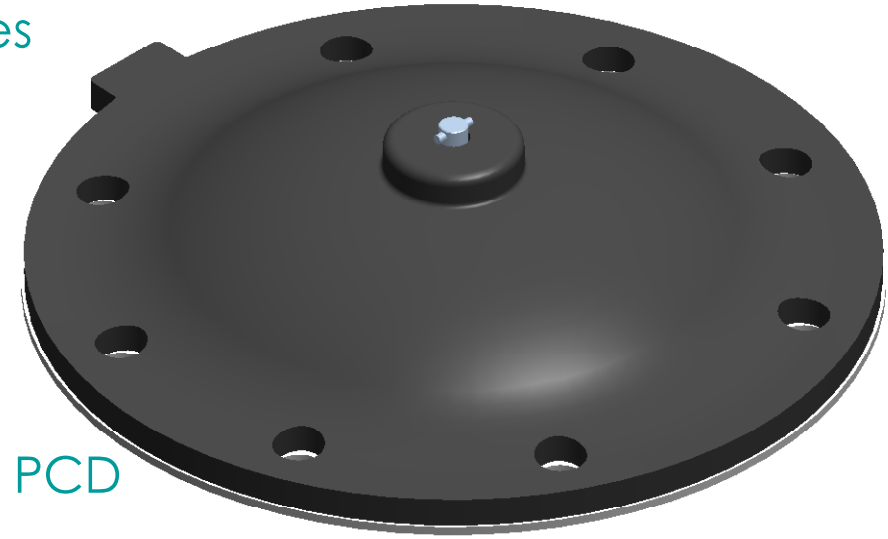
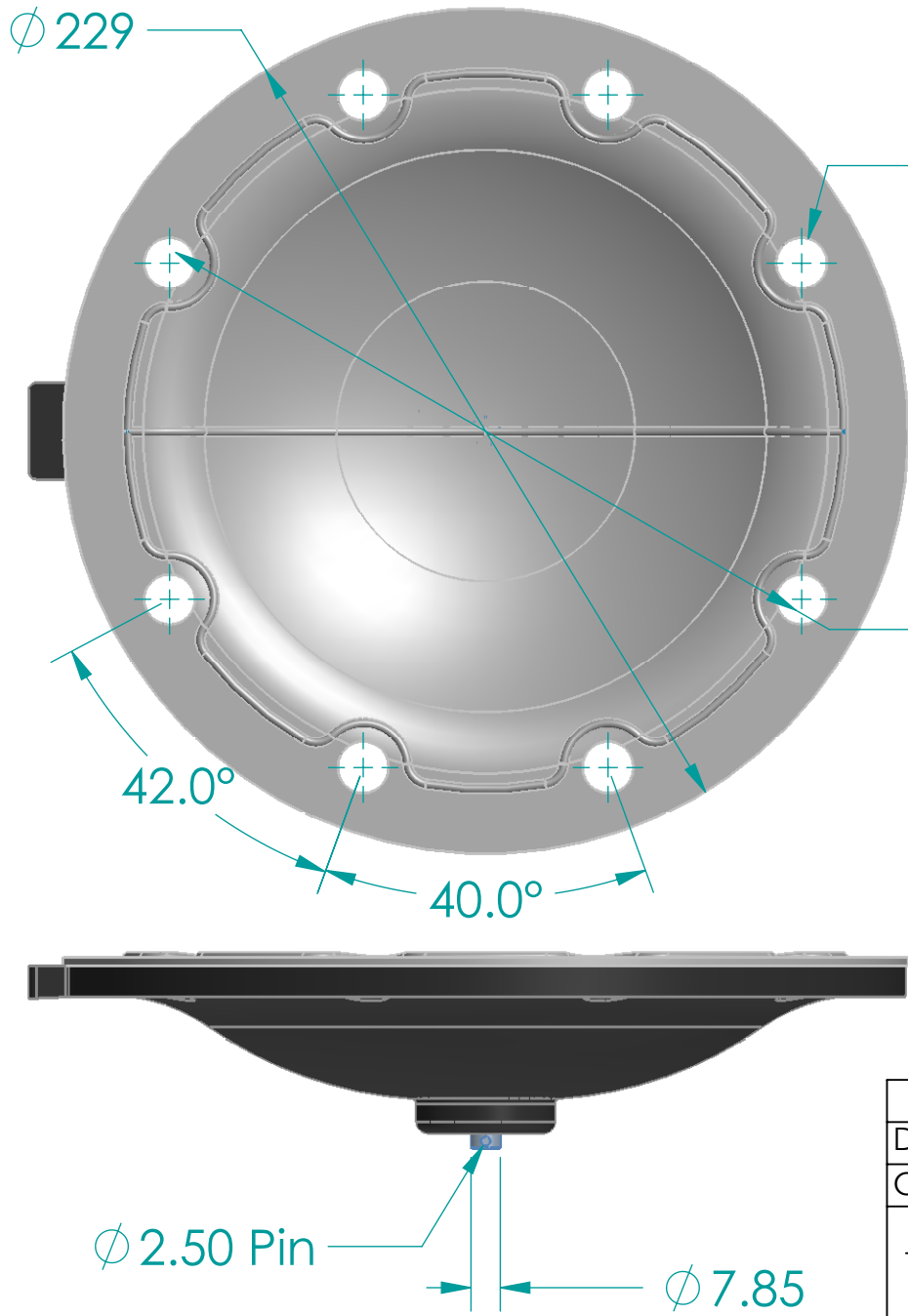



Revision History

Rev	Description	Date	Approved
D	New Model & Part No. DA100SR	19/12/21	JB



Replacement Diaphragm for:-
OEM PART = DA100SR
USED ON 4" (DN100) Diaphragm Valve

	Name	Date	 DIAPHRAGM[®] DIRECT		
Drawn	M.Mc Keon	07/12/21			
Checked			TITLE DD40-STFM		
Material - EPDM BACKING TFM-DIAPHRAGM Complies with CFR 177.2600 and Conforms to USP Class VI Biological Reactivity Tests Section #87 and #88			Size A	FOOT PRINT DIMENSIONS	Rev D
			File- DD40-STFM RevD		
			SCALE: 1:2	Sheet 1 of 1	

Disclaimer - Diaphragm Direct® does not manufacture, represent, nor sell OEM valves or diaphragms manufactured by any other company. Diaphragm Direct® brand diaphragms are not sponsored by any other manufacturers. Any name, model, part number, brand, image, material or referral is for descriptive purposes only. Diaphragm Direct® brand replacement diaphragms are guaranteed to fit OEM equipment and meet or exceed OEM specifications. Diaphragm Direct® brand replacement diaphragms are covered by the standard Diaphragm Direct® limited product warranty.