



Butterfly valves



Sanitary
flow
equipment

Butterfly Valve VF ...

The Aerre Inox stainless steel butterfly valve VF are on/off routing valves, available with manually and pneumatically operated system.

Due to their large opening areas, minimize turbulence, offer low pressure drop and provide gentle treatment of low and medium viscosity product. The handle mechanically locks the valve in its open or closed position.

A disc closes against a silicone seal when the handle is at right angle to the pipeline; when the handle is turned 90° the disc is parallel to the product flow and the valve is fully open.

The valve consists of two valve body halves, valve disc/stem, and seal rings, assembled and secured by means of screws and nuts.

TYPICAL APPLICATION

Butterfly valve is suitable in every process for food industry: mineral water, milk, wine, beer, juice.

SIZE RANGE

Interchangeable end caps are available for different applications completely machined from bar, no welded tube extension

- Model VF-TC – clamp ASME-BPE from 3/4" up to 10"
- Model VF-SS – butt weld from 3/4" up to 10" - Tube OD
- Model VF-CC – quick dismantling from 3/4" up to 2"
- Model VF-DIN – DIN 11851 from DN20 up to DN100
- Model VFF-TB – tank bottom flush weld from 3/4" up to 4" extended tube for orbital welding or other on request

SURFACE FINISH

Internal body surfaces Ra <0,5 micron or better
External mirror polished
Electro-polished also available on request

SEAT MATERIALS

complying with FDA guidelines and USP Class VI
For more information on seat characteristics please contact us

OPERATOR

The valve can be fitted with manual handle or with ISO 5211 mounting pad for pneumatic actuators

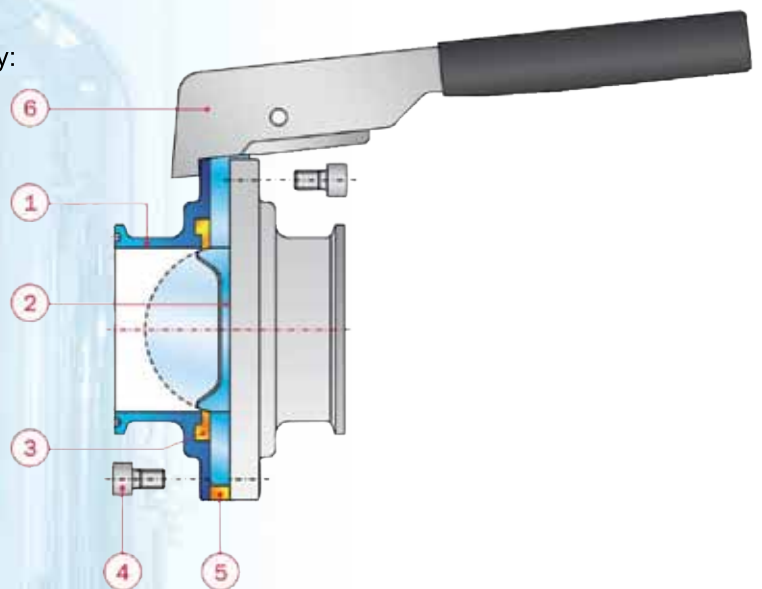
- Stainless steel manual handle (quarter-turn for open/close)
- Thermoplastic lockable griper handle 12 positions
- Stainless steel pull and turn handle
- Pneumatic actuator (DA double acting – SR spring return)

PED PRESSURE DIRECTIVE

In compliance with the European Directive 97/23/CE "PED"
The valves are designed according to directive PED 97/23 CE, certified by notified body and meets the basic requirements indicated in Directive 97/23/CE

PRESSURE/TEMPERATURE RATING

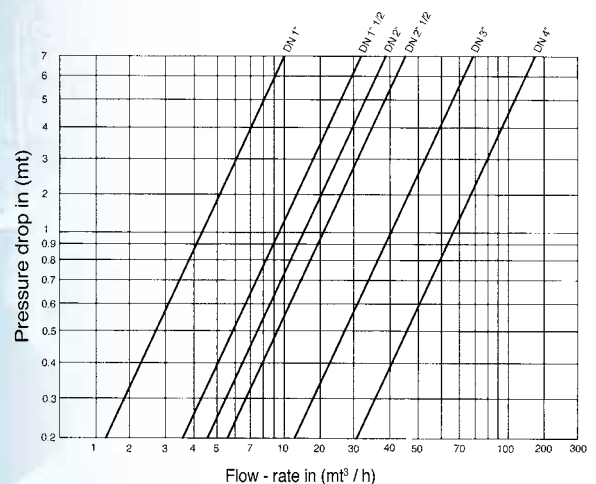
Min / Max working pressure Vacuum / 10 bar g
Min / Max working temperature -10°C / 150°C



MATERIAL

- | | | |
|---|------------|----------------------------|
| 1 | Body valve | Forged AISI 316L-1.4404 ss |
| 2 | Disc/stem | Forged AISI 316L-1.4404 ss |
| 3 | Gasket | Silicone, EPDM, Viton® |
| 4 | Screw | AISI 304 stainless steel |
| 5 | Cap | Silicone |
| 6 | handle | AISI 304 stainless steel |

Pressure drop/capacity diagram for INCH tube



disc fully opened 90°

medium: water at ambient temperature 20°C



For equipment in compliance with the **European Directive ATEX 94/9/CE**  **II 2 GD-T4**



ANTISTATIC DEVICE (optional on request)

To eliminate possibility of static electrical charges within the valve, a grounding connection (anti-static device) is mounted on the side of the forged disc/stem as shown to ensure electrical continuity for the entire butterfly valve.

Specific and supplementary mark according to Directive 94/9/CE ATEX indicating in order the specific symbol for the explosive. The unit number and the category to which it belong, the type of atmosphere in which the product can be used and temp. class.

Declaration CE of conformity according to evaluation form "A" (ENCLOSURE X European Directive 94/9/EC ATEX)

VFF-BW Tank bottom Butterfly valve

APPLICATION

The **VFF-BW** tank bottom butterfly valve are on/off routing tank bottom valves, incorporates all the advantages of standard VF

available in manual/pneumatically operated.

Due to their large opening areas, minimize turbulence, offer low pressure drop and provide gentle treatment of low and medium viscosity product. The handle mechanically locks the valve in its open or closed position.

For special applications on existing reactors, we also manufactures special adaptor plates in order to accommodate customer request.

The valve consists of one standard valve body half, welding plate, valve disc/stem, and seal rings, assembled by means of bolts and the special design of the welding plate, is an integral welded part of the tank surface and preventing stagnation of the media.

BENEFITS OVER CONVENTIONAL TOV

Valves mounts flush with the inside vessel wall, minimizing dead leg higher CV with practically a full bore

No pressure drop

Simple quarter-turn opening

STANDARDS

The **VFF-BW** tank bottom butterfly valve is a process accessory to be used for clear or viscous media from group 2 in accordance with

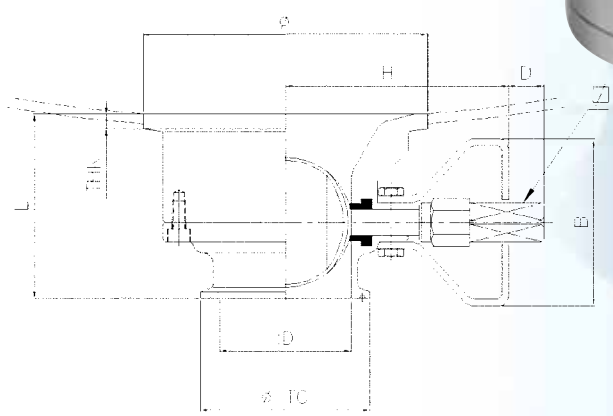
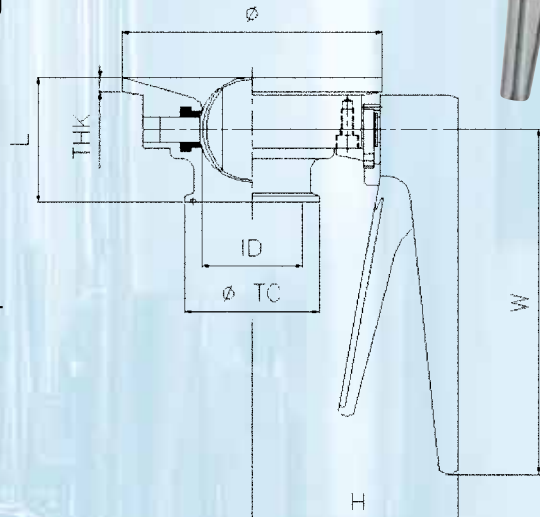
Pressure Equipment Directive PED 97/23/CE are CE compliant under the SEP "Sound Engineering Practice" Article 3- Paragraph 3

PRESSURE / TEMPERATURE RATING

Min / Max working pressure Vacuum / 6 bar g

Min / Max working temperature 0°C / 150°

Special executions available on request : Welding plate with radius or bigger different diameter / thickness, extended tube for orbital welding or with bend. For special applications, we manufactures special adaptor plates, when replacing a conventional flush tank valve, with a flush tank butterfly valve and also to ship the plate independently from the valve, in order to accommodate customer requests.



Butterfly Valve VF-CC-TC

The butterfly valve **VF-CC-TC** are on/off routing valves, available for manually operated system. The valve consists of two valve body halves, valve disc/stem, and seal rings, assembled by means of clamp and can be easily and quickly dismantled and reassembled without tools in less than half the time required for butterfly valves secured with screws and nuts. The handle is welded onto the clamp body.

PRESSURE / TEMPERATURE RATING

Min / Max working pressure Vacuum / 10 bar g
 Min / Max working temperature 0°C / 150°C

SEAT MATERIAL

White silicone complying with FDA guidelines

OPERATOR

Pull and turn manual handle available only
 (quarter-turn for open/close)

SURFACE FINISH

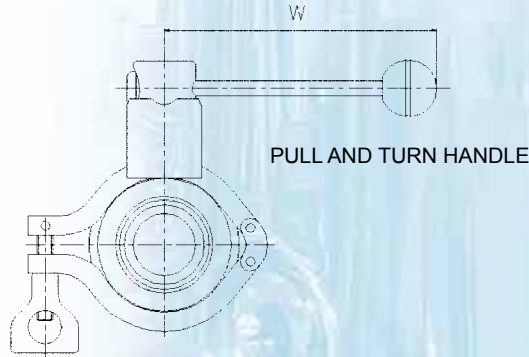
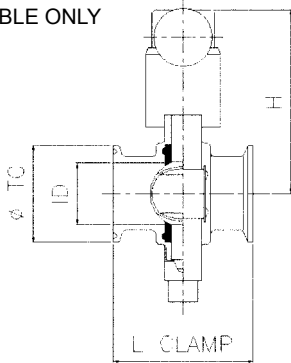
Internal body surfaces 0,5 micron Ra or better
 External mirror polished

CONNECTIONS

Interchangeable end caps are available
 clamped ASME-BPE, butt weld OD



MANUAL HANDLE
 AVAILABLE ONLY



Ordering information

To specify the part completely, start with the product description and select the additional options as shown below:

Butterfly	Description VF Standard In-Line VF - CC Quick Dismantled VFF Tank Bottom	Actuator M Manual ML Manual Lockable P Pneumatic SR/DA* PS Pneumatic + Switches	Size For BS: inches 3/4" - 4" For DIN: DN 25 - DN 100	Material 1.4404 as Standard at Stock	End Connections TC Clamp ASME-BPE BW Butt Weld DN Din 11851	Surface Finish Ra 0,5 Micron as Std Electropolished or Other Finish Grade on Request	Atex Ex II 2 GDT4
	VFF	M	2"	TC	1.4404	Ra	Ex
						Optional	

* Pneumatic Actuators Available:
 AL Anodized Aluminium
 AT PTFE Coated Aluminium
 SS Stainless Steel

К-ТЕП — Дисковые поворотные затворы

<http://k-tep.com.ua/>

✉ k-tep@ukr.net

■ МТС +38 066 9076563

■ Киевстар +38 098 3676414

Skype: [k-teppumps](#)



Замечания

Условия поставки DDP склад г. Киев

Заметки

Время поставки рассчитано согласно дате предложения и изменяется в зависимости от даты подтверждения заказа.

Помещая заказ, Покупатель принимает предложение и все спецификации, характеристики и условия, указанные в данном документе.
