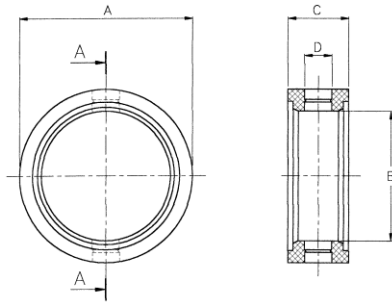


## BUTTERFLY VALVE VF... SPARE PARTS

Elastomer available:

code : **X** **Silicone** WHITE color code  
 code : **E** **EPDM** BLACK color code  
 code : **SFY** **Viton** BLEU color code



SIZE DN	25	32	40	50	60	65	70	80	100	125	150
<b>A</b>	45	52	55	67	78	85	90	105	125	151	179
<b>B</b>	25	32	38	50	60	65	70	80	98	126	150
<b>C</b>	22	22	22	23,5	23,5	23,5	23,5	24	24	32	32
<b>D</b>	10,5	10,5	10,5	10,5	10,5	10,5	10,5	12,5	12,5	13,5	13,5

### Elastomer features and technical data

Material	Silicone "X"	EPDM "E"	Viton "SFY"
Temperature	-62° @ 232°C	-51° @ 149°C	-29° @ 177°C
Acid	scarce/good	good/excellent	good/excellent
Alkali	scarce/mediocre	good/excellent	scarce/mediocre
Abrasion resistance	scarce	good	good

## GASKET REPLACEMENT

- 1 remove service fluid from plant;
- 2 to handle corrosive fluids observe rules to safeguard maintenance personnel and plant.
- 3 remove handle (or pneumatic actuator) from body valve.
- 4 unscrew (cap screw 4) both sides to open body valve 1.
- 5 pull out plug 2 and seat 3 from halves.
- 6 with a specific tools (for pin) remove seat 3 from plug 2.
- 7 before re-assembling valve be sure that all seal surfaces are completely clean avoid damage at new seat.
- 8 pay maximum attention: with a specific tools (for pin) slip new seat 3 on plug 2.
- 9 insert plug 2 in to halves and re-assemble valve, screw (cap screw 4) both sides untill halves face tightly perfectly.
- 10 assemble handle 11 (or pneumatic actuator) on body valve.
- 11 after first sterilization cycle, check the valve to be sure there isn't leakage. Put back in service fluid.



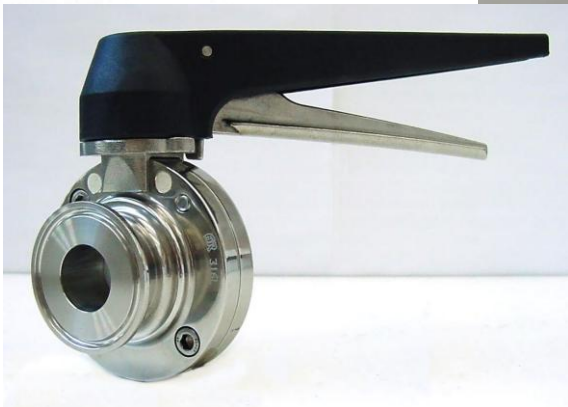
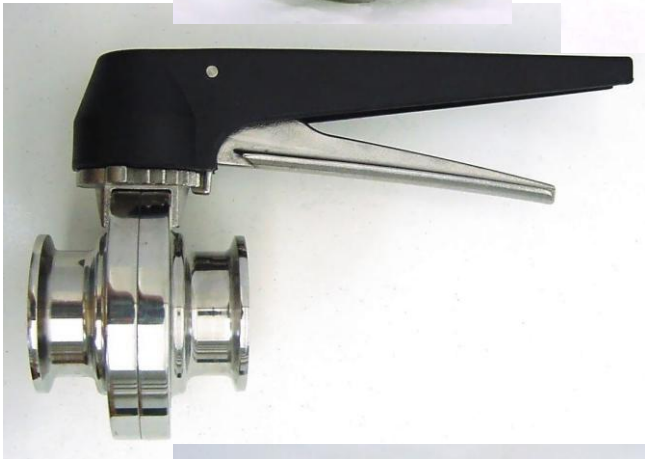
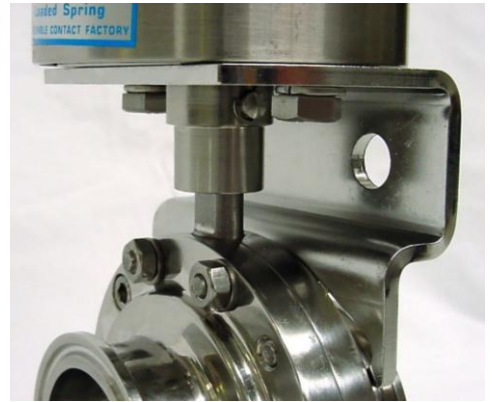
1



2



3



---

К-ТЕП — Дисковые поворотные затворы

<http://k-tep.com.ua/>

✉ [k-tep@ukr.net](mailto:k-tep@ukr.net)

■ МТС +38 066 9076563

■ Киевстар +38 098 3676414

Skype: [k-teppumps](#)



### Замечания

*Условия поставки DDP склад г. Киев*

#### Заметки

Время поставки рассчитано согласно дате предложения и изменяется в зависимости от даты подтверждения заказа.

Помещая заказ, Покупатель принимает предложение и все спецификации, характеристики и условия, указанные в данном документе.

---