



# Sanitary Sampling Valves



Sanitary  
flow  
equipment

# Rps Available Body

**Standard  
CLAMP 3/4" BS**

Esecuzione H a faccia piana  
*H execution flat face*  
RPS-X-TC  $3/4$  / H

Esecuzione T con tubo di sample  
*T execution with sampling pipe*  
RPS-X-TC  $3/4$  / T-LUER

RPS-G-TC  $3/4$  90°

**Optional  
CLAMP 1" BS**

RPS-X-TC1 / H

RPS-X-TC1 / T-LUER

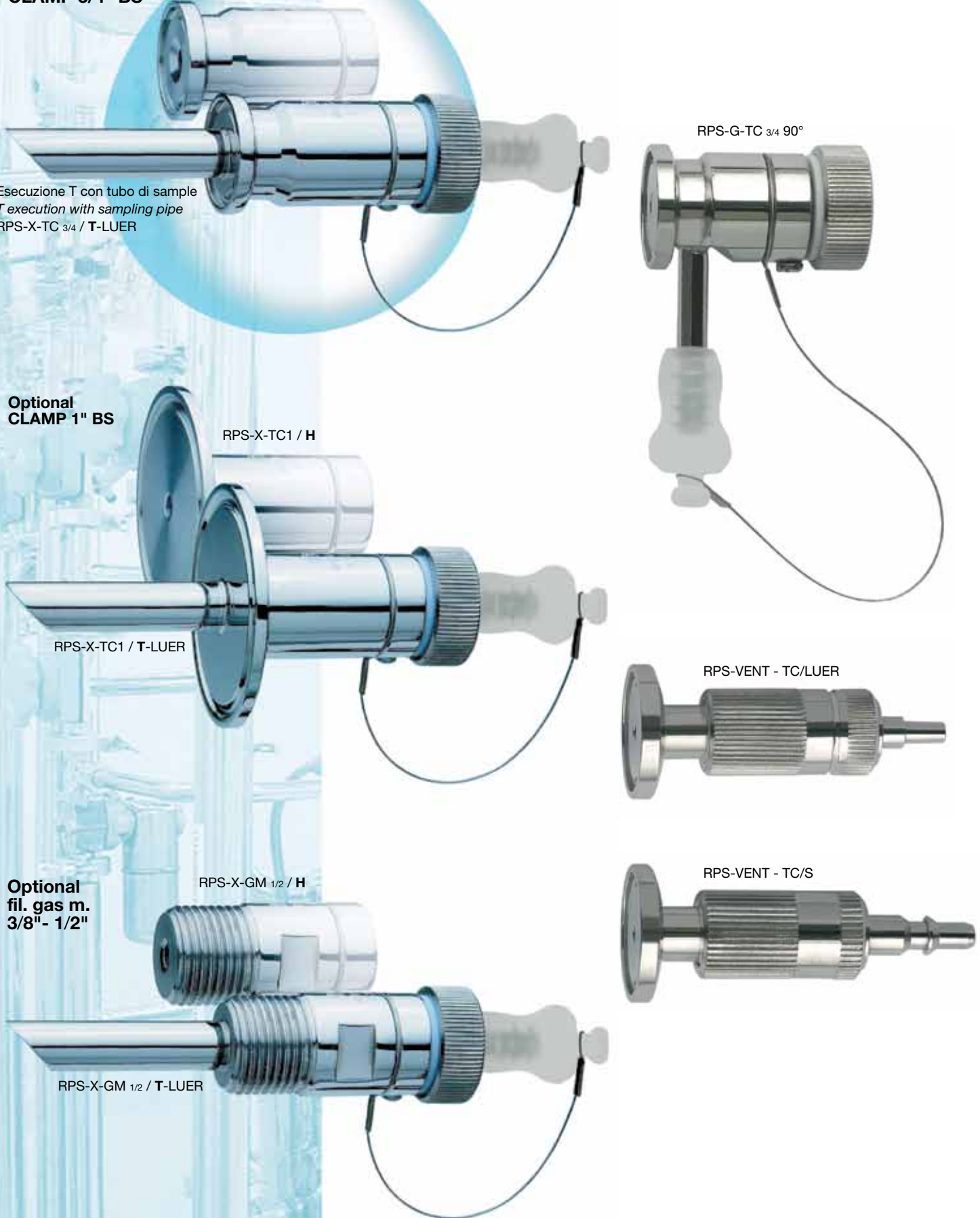
RPS-VENT - TC/LUER

**Optional  
fil. gas m.  
3/8" - 1/2"**

RPS-X-GM  $1/2$  / H

RPS-X-GM  $1/2$  / T-LUER

RPS-VENT - TC/S

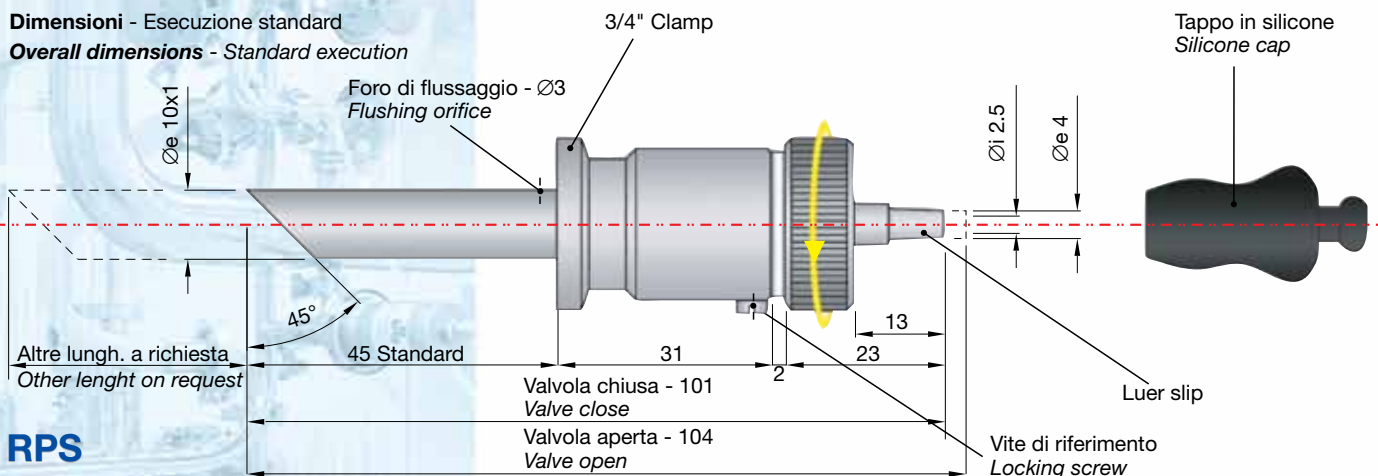




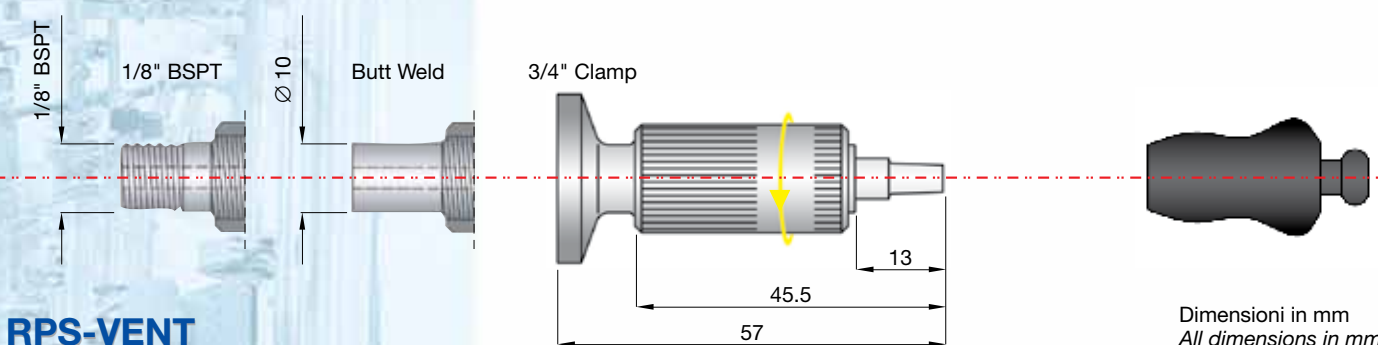
# Presa campione sanitaria

**Dimensioni - Esecuzione standard**

**Overall dimensions - Standard execution**



**RPS**



**RPS-VENT**

## INSTALLAZIONE

In funzione del tipo di connessione, la valvola potrà essere installata con corpo a saldare, clampato o filettato.

Essendo il senso del flusso unidirezionale, bisogna rispettare l'orientamento della vite di riferimento per un corretto flussaggio del corpo valvola.

Per qualunque tipo di connessione, installare la valvola con l'uscita luer sull'asse orizzontale, parallelo al pavimento; nel caso di flusso con direzione dal basso verso l'alto, la vite di riferimento dovrà essere posizionata in basso, nel caso invece di flusso con direzione dall'alto verso il basso, la vite di riferimento dovrà essere posizionata in alto.

## INSTALLATION

Depending on the type of connection, the valve may be installed by welding, screwing or clamping the body.

As the direction of flow is one-way, check the direction of the reference screws to ensure the body valve flow is correct.

For all types of connection, ensure the luer outlet is horizontal to the valve and parallel with the floor.

If flow is vertically upwards, the reference screws must be placed at the bottom, while if the flow is vertically downwards, the reference screws must be placed at the top.

## TIPI DI ATTACCHI - SAMPLE CONNECTIONS



**LUER SLIP** - esecuzione standard  
**LUER SLIP** - standard execution



**ATTACCO RAPIDO** - optional  
**RAPID CONNECTION** - optional



**PORTAGOMMA** - optional  
**RUBBER HOSE** - optional

## DOCUMENTAZIONE

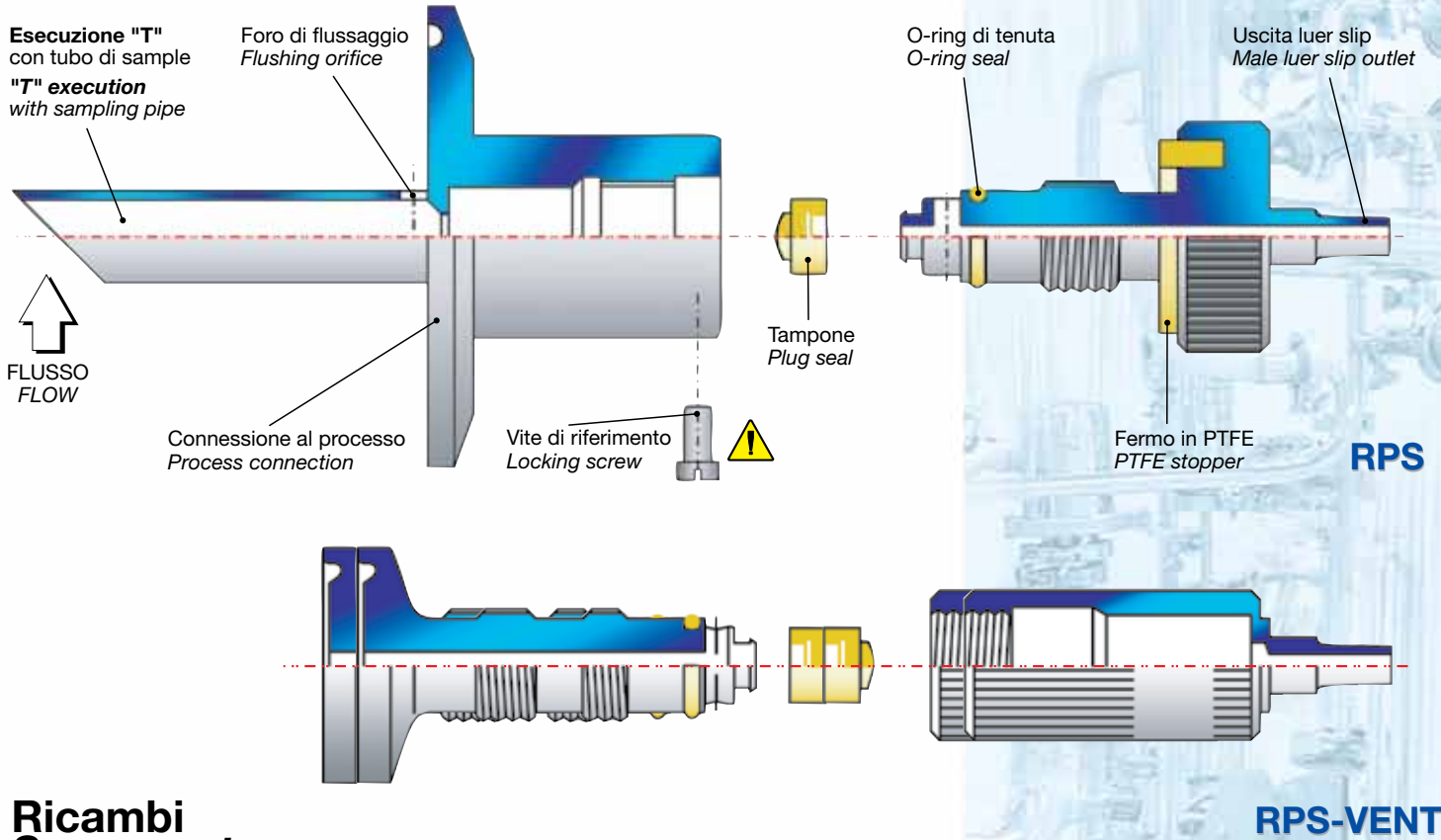
Ai fini della tracciabilità dei pezzi per la validazione degli impianti, sono corredate a richiesta da certificati di analisi chimica dei materiali EN 10 204 3.1B certificati di conformità alle normative 3A e FDA, strisciate di rugosità.

## DOCUMENTATION

All valves are fully traceable for validation processes.

Each valves is accompanied by material test certificates EN 10 204 3.1B 3A standards compliance certificates, FDA regulations compliance certificates, and tapes detailing the valve interior surfaces Ra.

# Sanitary sampling valve



## Ricambi Spare parts

### cod. TRPS-V

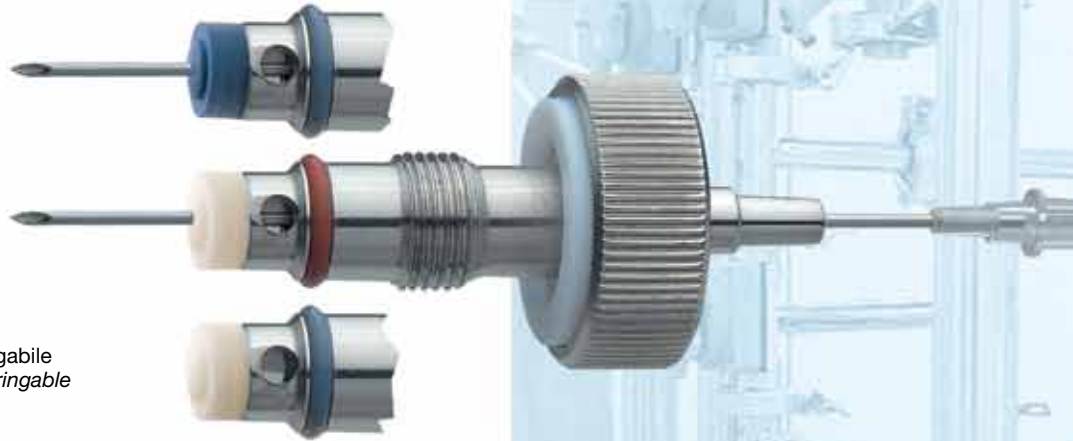
Tampone e o-ring in VITON - siringabile  
Plug seal and o-ring in VITON - syringable

### cod. TRPS-X

Tampone e o-ring in SILICONE - siringabile  
Plug seal and o-ring in SILICONE - syringable

### cod. TRPS-G

Tampone in PTFE e o-ring in VITON - NON siringabile  
Plug seal in PTFE and o-ring in VITON - NOT syringable



## RPS Ordering information

To specify the part completely, start with the product description and select the additional options as shown below:

	<p>Plug and seal o-ring silicone <b>X</b> Viton <b>V</b> PTFE <b>G</b></p>	<p>Process connection <b>TC</b> 3/4"-1"-1,5"-2" clamp <b>BW</b> butt weld <b>GM</b> 3/8"-1/2" BSP thread</p>				
Valve type <b>RPS</b>	<b>RPS</b>	<b>X</b>	<b>TC 3/4"</b>	<b>T</b>	<b>Luer</b>	<p>Sample port <b>Luer</b> Male Luer slip <b>P</b> Ø6mm hose barb <b>S</b> Staubli connection</p>
Valve type <b>RPS-Vent</b>	<b>RPS-Vent</b>	<b>X</b>	<b>TC 3/4"</b>	<b>H</b>	<b>Luer</b>	
			<p>Process connection 3/4" clamp <b>TC</b> Ø10mm butt weld <b>BW</b> 1/8" BSP thread <b>GM</b></p>	<p>Body configuration <b>H</b> Flat face <b>T</b> Ø10mm deep pipe</p>		



# Sanitary sampling valves

## CHARACTERISTICS

The **RPS** fully autoclavable sampling valves are designed for aseptic sampling of liquids and pharmaceutical products.

Made entirely in AISI 316L, the standard version is in the form of a rod with a 3/4" clamp and no welding.

On request, the connection to the process may be modified as indicated.

Easily installed onto distribution lines or onto tanks, this valve can be kept in aseptic conditions between one sample and another by using a silicon cap which closes the "luer slip" outlet. It's special design prevents deposits of bacteria and particles, possibly distorting the results of bacteriological tests carried out while allowing samples to be taken from the middle of the line enabling a representative sample to be taken. Extremely economical and very easy to use, the valve opens by turning the head knurled ratchet in an anticlockwise direction and then clockwise to return it to the closed position.

## TECHNICAL DATA

### MATERIALS

Valve body: AISI 316L

Shaft: AISI 316L

O-ring: Standard silicone  
Optional viton

Plug: Standard silicone  
Optional viton or PTFE

### MAX WORKING CONDITIONS

Max Pressure: to 10 bar and 150°C

### PROCESS CONNECTIONS

Standard: clamp 3/4" BS

Optional: clamp 1" BS

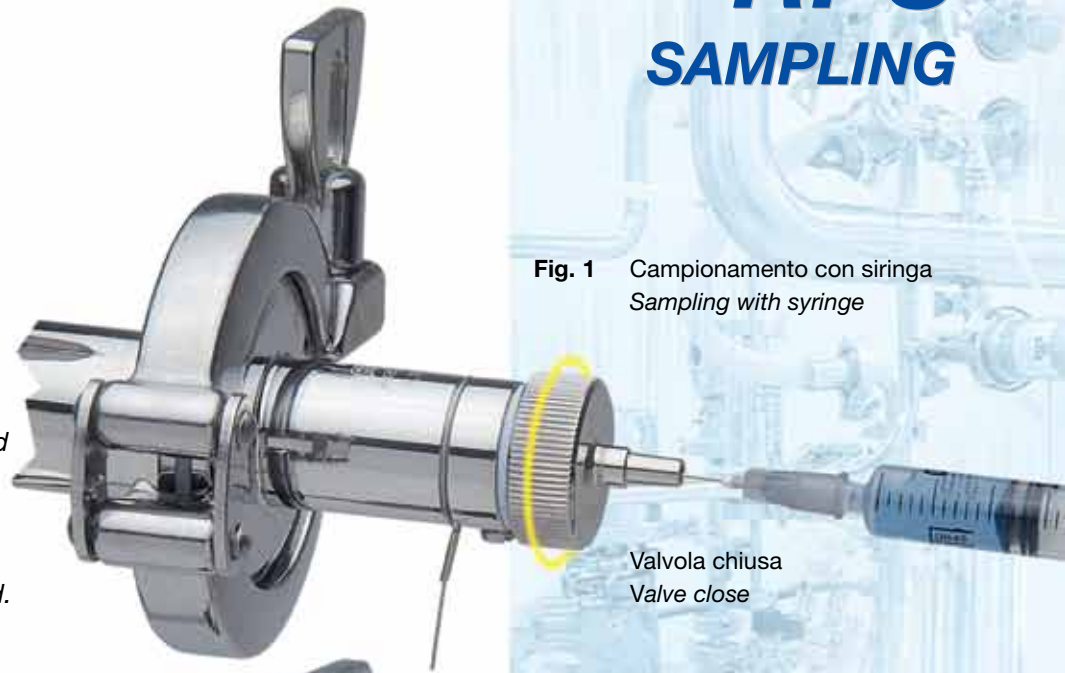
3/8"-1/2" gas male thread  
butt-weld

### OUTLET CONNECTIONS

Standard: LUER SLIP joint

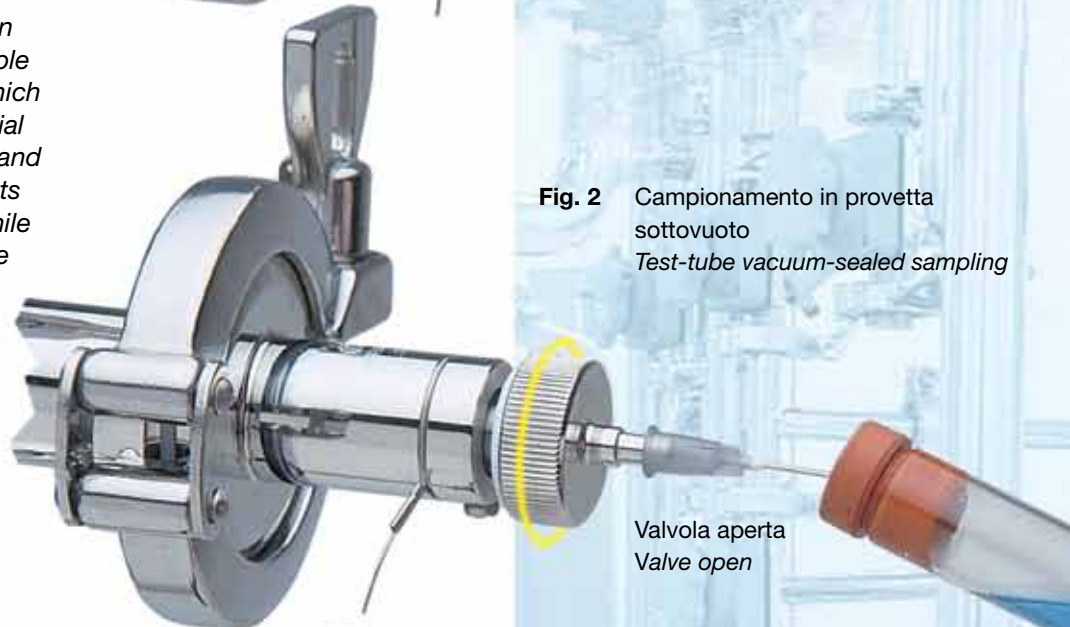
Optional: Rubber hose Ø 6mm  
Rapid connection

# RPS SAMPLING



**Fig. 1** Campionamento con siringa  
Sampling with syringe

Valvola chiusa  
Valve close



**Fig. 2** Campionamento in provetta sottovuoto  
Test-tube vacuum-sealed sampling

Valvola aperta  
Valve open



**Fig. 3** Campionamento standard.  
Standard Sampling

Valvola aperta  
Valve open

---

К-ТЕП — Санитарные клапаны (Sampling)

<http://k-tep.com.ua/>

✉ [k-tep@ukr.net](mailto:k-tep@ukr.net)

■ МТС +38 066 9076563

■ Киевстар +38 098 3676414

Skype: [k-teppumps](#)



### Замечания

*Условия поставки DDP склад г. Киев*

#### Заметки

Время поставки рассчитано согласно дате предложения и изменяется в зависимости от даты подтверждения заказа.

Помещая заказ, Покупатель принимает предложение и все спецификации, характеристики и условия, указанные в данном документе.

---