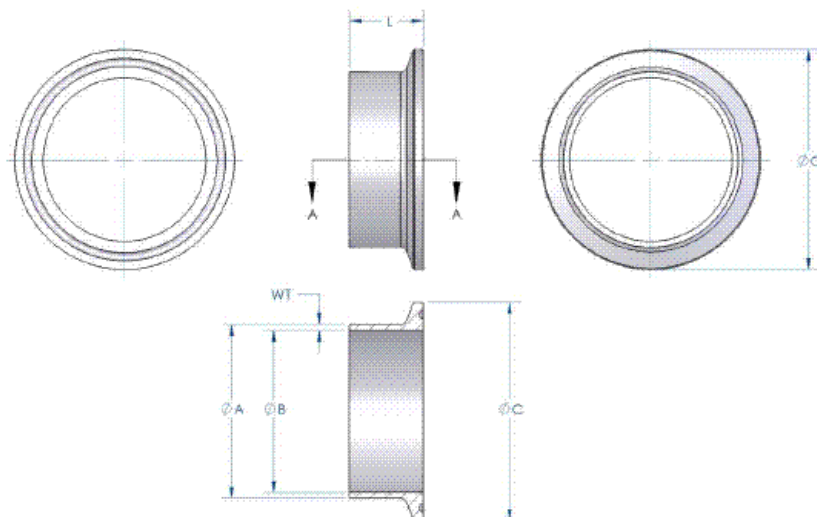




FERRULES Clamp BS 4825 Standards Dimensions



Standard BS 4825 for tube according DIN 11866, part. C (ASME-BPE)

CODE	Nominal Size Inch	TC flange φ C mm	Pipe Size φ A x WT mm	φ B mm	(#) 14WMP Length mm	(#) L14AM7 Length mm	(#) 14WLMO Length mm	(#) 14WLMP Length mm
(#) -A025..	1/4"	25,0	6,35 x 1,22	3,91	12,7	28,0	-	-
(#) -A037..	3/8"	25,0	9,53 x 1,22	7,09	12,7	28,0	-	-
(#) -A050..	1/2"	25,0	12,7 x 1,65	9,4	12,7	28,0	-	-
(#) -A075..	3/4"	25,0	19,05 x 1,65	15,75	12,7	28,0	-	-
(#) -A100..	1"	50,4	25,4 x 1,65	22,1	12,7	28,6	-	76,2
(#) -A150..	1 1/2"	50,4	38,1 x 1,65	34,8	12,7	28,6	-	76,2
(#) -A200..	2"	64,0	50,8 x 1,65	47,5	12,7	28,6	-	76,2
(#) -A250..	2 1/2"	77,5	63,5 x 1,65	60,2	12,7	28,6	-	76,2
(#) -A300..	3"	91,0	76,2 x 1,65	72,9	12,7	28,6	-	101,6
(#) -A400..	4"	119,0	101,6 x 2,11	97,4	15,8	28,6	-	101,6
(#) -A600..	6"	167,0	152,4 x 2,77	146,8	-	-	28,0	-
(#) -A800..	8"	217,5	203,2 x 2,77	197,66	-	-	28,0	-
(#) -AA10..	10"	268,5	254,0 x 2,77	248,46	-	-	28,0	-
(#) -AA12..	12"	319,0	304,8 x 2,77	299,26	-	-	28,0	-

Dimensions and tolerance according to ASTM A270 - ASTM A269

Figure Numbers :

- 14WMP Short welding ferrule
- L14AM7 Orbital welding ferrule
- 14WLMO Orbital welding ferrule (big size only)
- 14WLMP Long welding ferrule (light)

Material :

ASTM A 479 / ASTM A 182 – 316L (wn. 1.4404) machined from solid bar 3.1 certified

Surface finish :

Internal standard surface finish with Ra average 0,5 micron or better, mechanically polished. External surface scotch brite

Marking:

Each ferrules are marked with material designation e.g. 316L SS and Heat No. for full lot traceability

Quality control:

The Quality Assurance system guarantees the control and traceability at all stages of the manufacturing.

The above table shows the full range of BS 4825 ferrules according to exacting standard.

We can offer non-standard ferrule (for minum lot) in different lengths and internal surface finishes to suit individual customer requirements.

Please indicate your preferred length when ordering, using the codes shown above.

К-ТЕП — Фитинги Clamp

<http://k-tep.com.ua/>

✉ k-tep@ukr.net

■ Office +38 044 2091823

■ МТС +38 066 9076563

■ Киевстар +38 098 3676414

Skype: [k-teppumps](#)



Замечания

Условия поставки: DDP склад г. Киев

Заметки

Время поставки рассчитано согласно дате предложения и изменяется в зависимости от даты подтверждения заказа.

Размещая заказ, покупатель принимает предложение и все спецификации, характеристики и условия, указанные в данном документе.