

## VRN-CC-TC Spring check valve Dimensions

### Spring check valve CC-TC

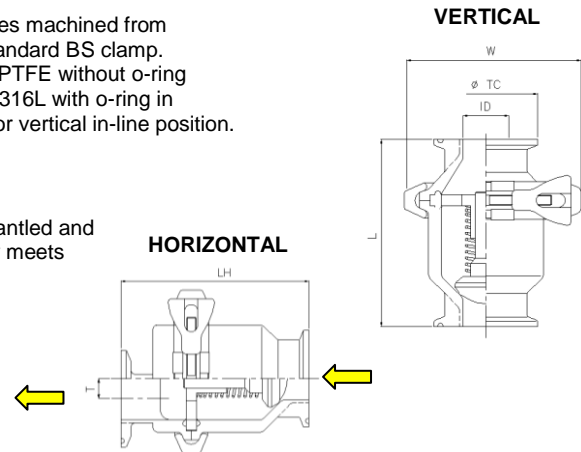
The sanitary spring check valves CC-TC are realized in two pieces machined from solid round bar in stainless steel AISI 316L, assembled with a standard BS clamp. In size ½" up to 2" std. version the sealing head is completely in PTFE without o-ring for 2"½, and 3" std. version the sealing head is in stainless steel 316L with o-ring in Silicone (different elastomer on request). Suitable for horizontal or vertical in-line position. (fully drainable in both execution).

### Application

The sanitary spring check valves can be easily and quickly dismantled and reassembled without tools and are appreciated where necessary meets the 3A - FDA standards in chemicals and pharma process.

### Advantages :

- Sterilizable – Autoclavable
- High temperature and pressure resistant
- Meets FDA specifications
- Full material traceability



Dimensions table

CODE	INCH	DN	T	ØTC	ID	LBW	LTC	LH	W
VRN-CC-TC1/2"	½"	15	11,3	25	9,4	70	75	75	67
VRN-CC-TC3/4"	¾"	20	8,1	25	15,7	70	75	75	67
VRN-CC-TC1"	1"	25	10,5	50,4	22,1	85,5	85,5	95	82
VRN-CC-TC1"1/2	1" ½	40	11,1	50,4	34,8	96,5	96,5	96,5	94
VRN-CC-TC2"	2"	50	11,4	64	47,5	96,5	96,5	96,5	105
VRN-CC-TC2"1/2	2" ½	65	18,0	77,5	60,2	105	105	105	134
VRN-CC-TC3"	3"	80	na	91	72,9	111,5	111,5	n.a.	134
VRN-CC-TC4"	4"	100	na	119					Not available

L overall length =LBW butt weld      LTC clamped  
special extended tube for orbital welding available on request

LH horizontal execution

### Operating conditions:

Opening pressure                      0,03 barg  
Maximum working pressure        6 barg  
Working temperature                from 0°C to 150°C

### Material:

valve body                              AISI 316L stainless steel  
reducer                                  AISI 316L stainless steel  
guide plate                              AISI 316L stainless steel  
clamp assembly                        AISI 304 stainless steel  
body o-ring (n.2)                        Silicone (different elastomer on request)  
spring                                      AISI 316L stainless steel  
shutter                                    - size ½" up to 2" completely in PTFE without o-ring  
   - size 2"½ and 3" AISI 316L stainless steel with  
   sealing head o-ring in Silicone



### Surface finish :

Wetted surface are finish with Ra<0,5 micron or better

### Sealing head:

For size ½" up to 2" included, the stem and sealing head is completely machined in a one piece of PTFE without o-ring  
For 2"½, and 3" the stem is in stainless steel 316L-1.4404 with o-ring in Silicone

NOTE: the new type of PTFE sealing head are perfectly interchangeable with old style with o-ring in Silicone  
In case of kit spare parts order, please specify the following code : **KIT-VRN-CC** for old model with o-ring in Silicone  
or **KIT-TVRN-CC** for new type in PTFE

---

К-ТЕП — Обратные пружинные клапаны

<http://k-tep.com.ua/>

✉ [k-tep@ukr.net](mailto:k-tep@ukr.net)

■ МТС +38 066 9076563

■ Киевстар +38 098 3676414

Skype: [k-teppumps](#)



### Замечания

*Условия поставки DDP склад г. Киев*

#### Заметки

Время поставки рассчитано согласно дате предложения и изменяется в зависимости от даты подтверждения заказа.

Помещая заказ, Покупатель принимает предложение и все спецификации, характеристики и условия, указанные в данном документе.

---