



Sanitary
flow
equipment



Quality
System
Certified
ISO 9001

VSDJ JACKET ball valve dimensions.doc
Rev.00 Page 1 of 1

VSDJ- 97A JACKET Ball valve Dimensions

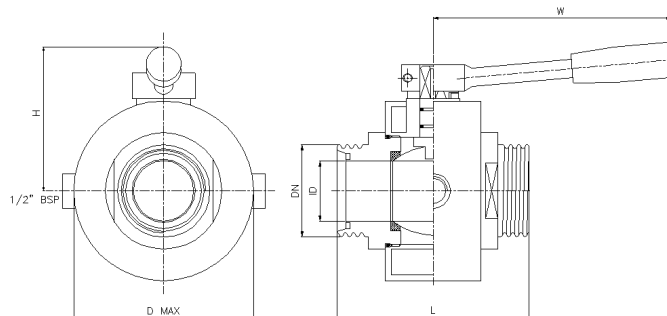
Application :

The VSDJ jacket ball valves are machined from solid round bar in AISI 304 or 316L and are appreciated where necessary meets the 3A - FDA standards in food and beverage industries . The seat in TFM 1600 PTFE is standard on VSDJ.

A heated body jacket is typically used to avoid the solidification of melted products. Heating medium, typically hot water, circulating through the jacket help to maintain the temperature and the product fluidity. It also helps to extended seat life. Typically used on fats and waxes, intended for installation on chocolate production plant or cream or high viscosity medium.

Advantages :

- Meets FDA and 3A specifications
- Full material traceability
- Compact design
- Fast and easy installation and maintenance
- Customized for your needs



MANUAL HANDLE AVAILABLE ONLY

Dimensions table

CODE	INCH	DN	ID	L	W	H	D max
VSDJ 25- 97A	1"	25	25	102	125	60	70
VSDJ 32- 97A	1" ¼	32	32	114	150	70	85
VSDJ 40- 97A	1" ½	40	39	124	180	80	104
VSDJ 50- 97A	2"	50	48,5	140	180	86	126
VSDJ 65- 97A	2" ½	65	65	168	275	100	154
VSDJ 80- 97A	3"	80	75	185	275	105	154

special end connections available on request

Operating conditions : (for both sides)

Maximum working pressure 6 barg
Working temperature from 0°C to 95°C

Material :

AISI 304 or 316L stainless steel

Connections :

Ball valve body : DIN11851-Female/Female (standard)
Jacket in/out : ½" BSP Female screw

Surface finish :

product contact surface are finish
with Ra<0,6 micron or better

Quality control:

The Quality Assurance system guarantees the control and traceability at all stages of the manufacturing.



К-ТЕП — Санитарные шаровые краны

<http://k-tep.com.ua/>

✉ k-tep@ukr.net

■ МТС +38 066 9076563

■ Киевстар +38 098 3676414

Skype: [k-teppumps](#)



Замечания

Условия поставки DDP склад г. Киев

Заметки

Время поставки рассчитано согласно дате предложения и изменяется в зависимости от даты подтверждения заказа.

Помещая заказ, Покупатель принимает предложение и все спецификации, характеристики и условия, указанные в данном документе.
