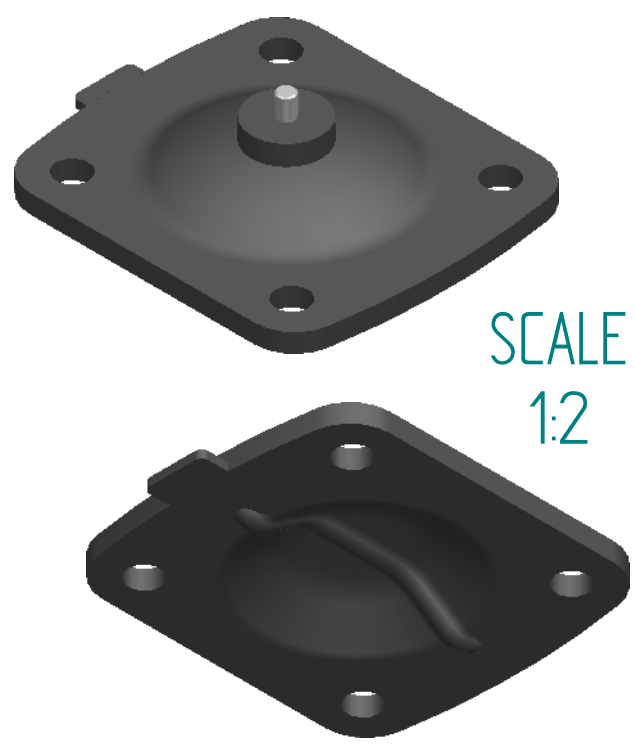
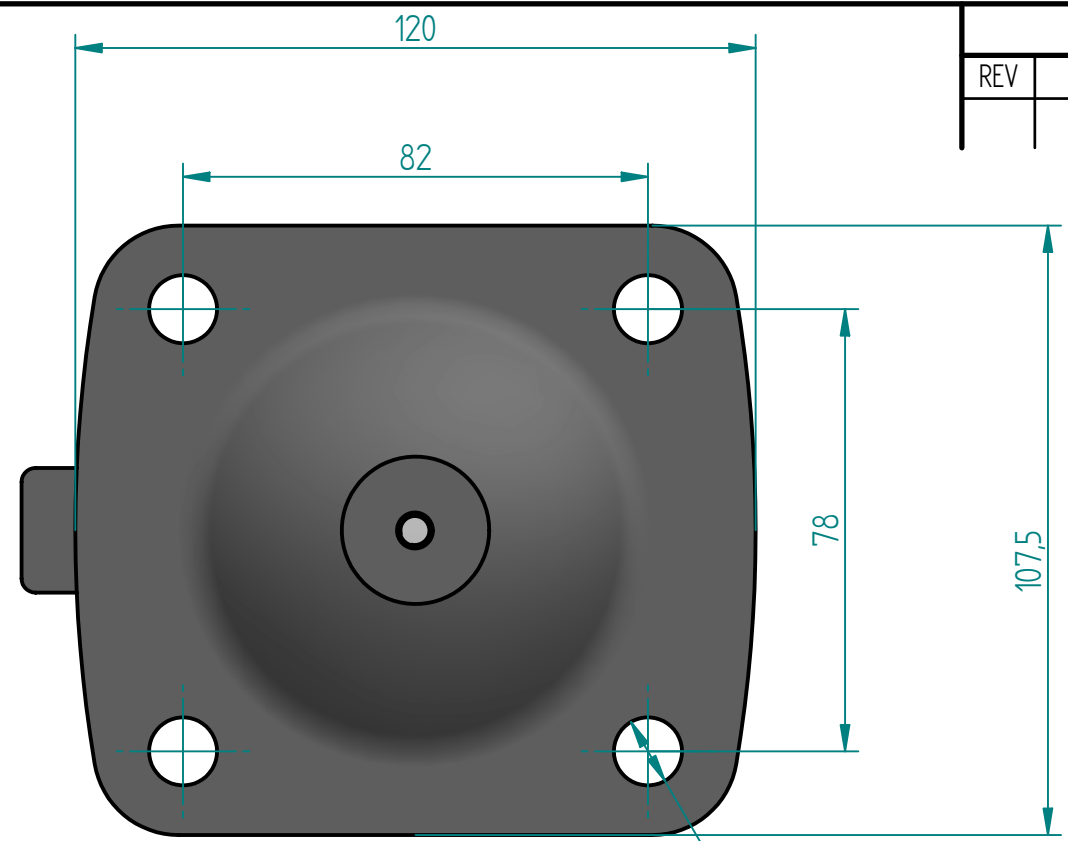


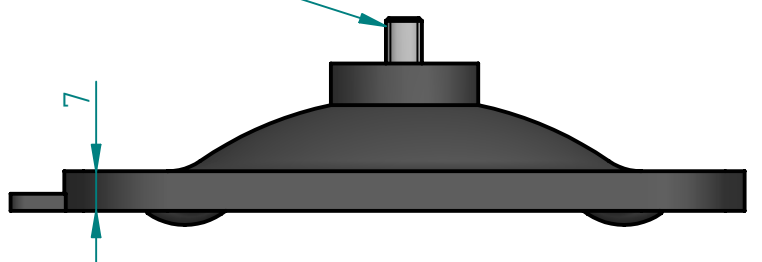
REVISION HISTORY

REV	DESCRIPTION	DATE	APPROVED



SCALE  
1:2


1/4" - Whitworth (INSERT SCREW)



φ 12 (4 Holes)

Replacement Diaphragm for :-  
OEM PART = 600050-M-13  
USED ON 2" (DN50) Diaphragm Valve

	NAME	DATE
DRAWN	M. MC KEON	08/21/14
CHECKED		
<b>Material - EPDM</b>		
Complies with CFR 177.2600 and Conforms to USP Class VI Biological Reactivity Tests Section #87 and #88		

 <b>DIAPHRAGM DIRECT</b>	
TITLE <b>DD20-GE7</b>	
SIZE A	<b>FOOT PRINT DIMENSIONS</b> <span style="float: right;">REV B</span>
FILE NAME: DD20-GE7.dft	
SCALE: 1:133	ECO:0605 SHEET 1 OF 1

Disclaimer - Diaphragm Direct® does not manufacture, represent, nor sell OEM valves or diaphragms manufactured by any other company. Diaphragm Direct® brand diaphragms are not sponsored by any other manufacturers. Any name, model, part number, brand, image, material or referral is for descriptive purposes only. Diaphragm Direct® brand replacement diaphragms are guaranteed to fit OEM equipment and meet or exceed OEM specifications. Diaphragm Direct® brand replacement diaphragms are covered by the standard Diaphragm Direct® limited product warranty.