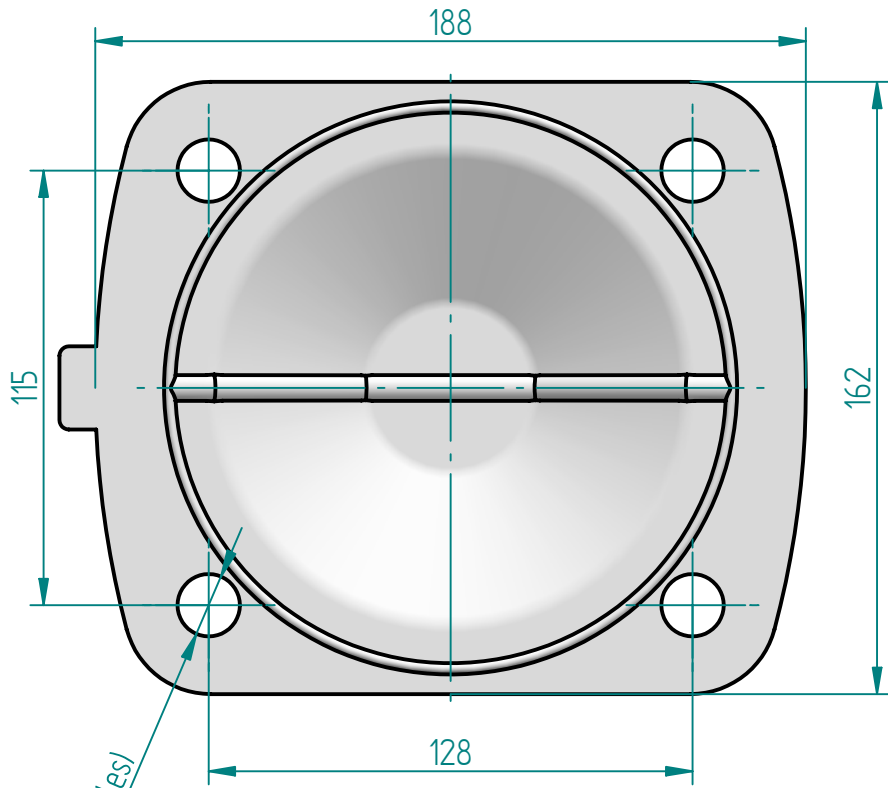
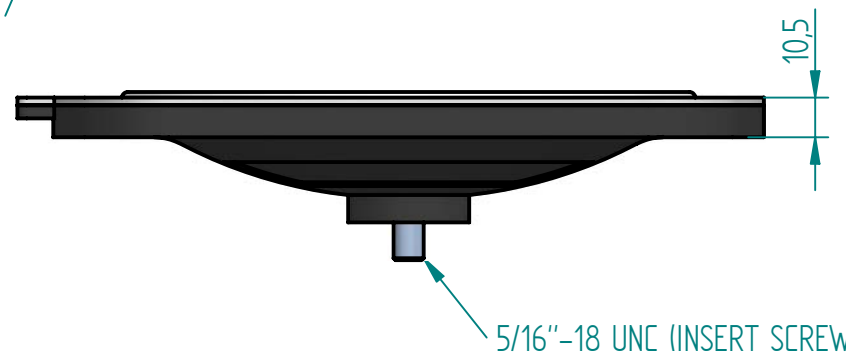
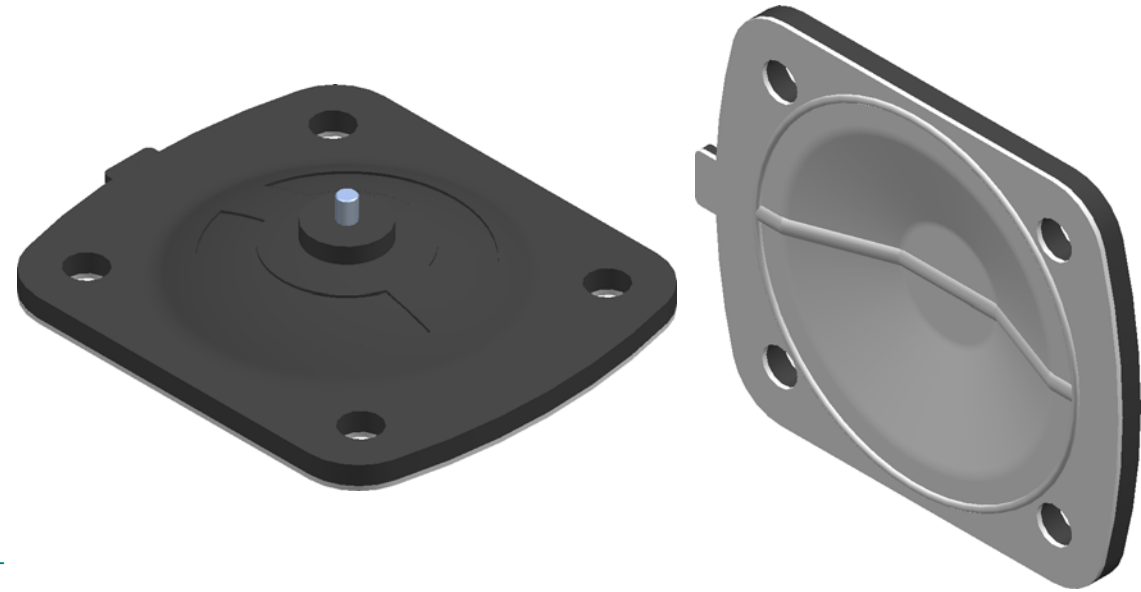


REVISION HISTORY

| REV | DESCRIPTION | DATE | APPROVED |
|-----|-------------|------|----------|
|-----|-------------|------|----------|



Ø 16.5 (4 Holes)



Replacement Diaphragm for :-
 OEM PART NUMBER = 600080-M-52
 USED ON 3" (DN80) Diaphragm Valve

| | | | | |
|--|------------|----------|-------------------------------|-----|
| | NAME | DATE | | |
| DRAWN | M. MC KEON | 08/21/14 | | |
| CHECKED | | | TITLE (Same as DD25-GFTML) | |
| Material - <u>PTFE laminate EPDM</u> <u>- DIAPHRAGM</u> | | | SIZE | REV |
| Complies with CFR 177.2600 and Conforms to USP Class VI Biological Reactivity Tests Section #87 and #88 | | | A | A |
| | | | FOOT PRINT DIMENSIONS | |
| | | | FILE NAME: DD30-GTFML.dft | |
| SCALE: 1 : 2 (mm) | | ECO:0605 | SHEET 1 OF 1 | |

Disclaimer - Diaphragm Direct® does not manufacture, represent, nor sell OEM valves or diaphragms manufactured by any other company. Diaphragm Direct® brand diaphragms are not sponsored by any other manufacturers. Any name, model, part number, brand, image, material or referral is for descriptive purposes only. Diaphragm Direct® brand replacement diaphragms are guaranteed to fit OEM equipment and meet or exceed OEM specifications. Diaphragm Direct® brand replacement diaphragms are covered by the standard Diaphragm Direct® limited product warranty.