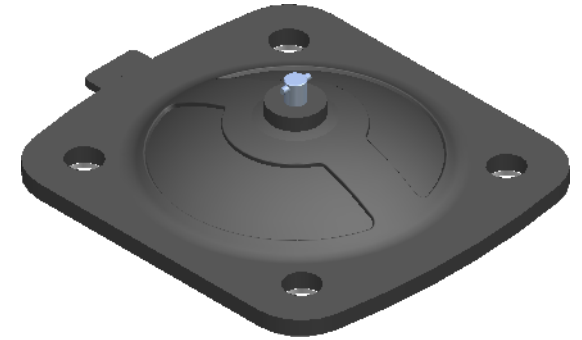
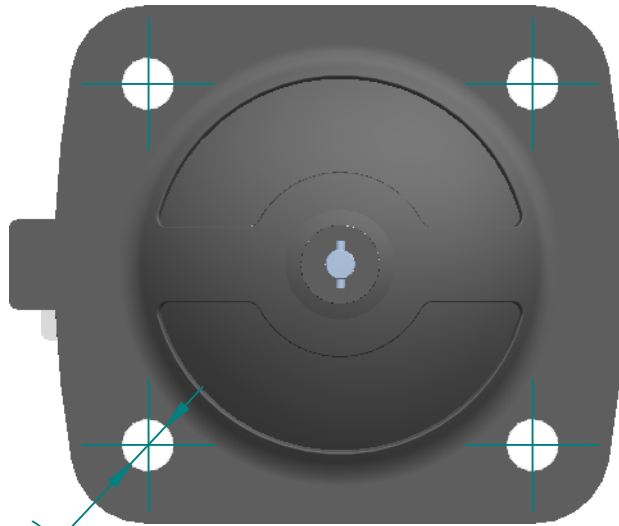


REVISION HISTORY

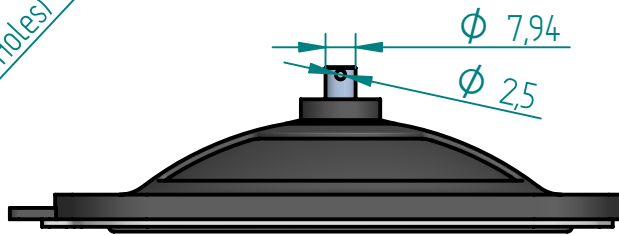
REV	DESCRIPTION	DATE	APPROVED



Scale
1:2.5



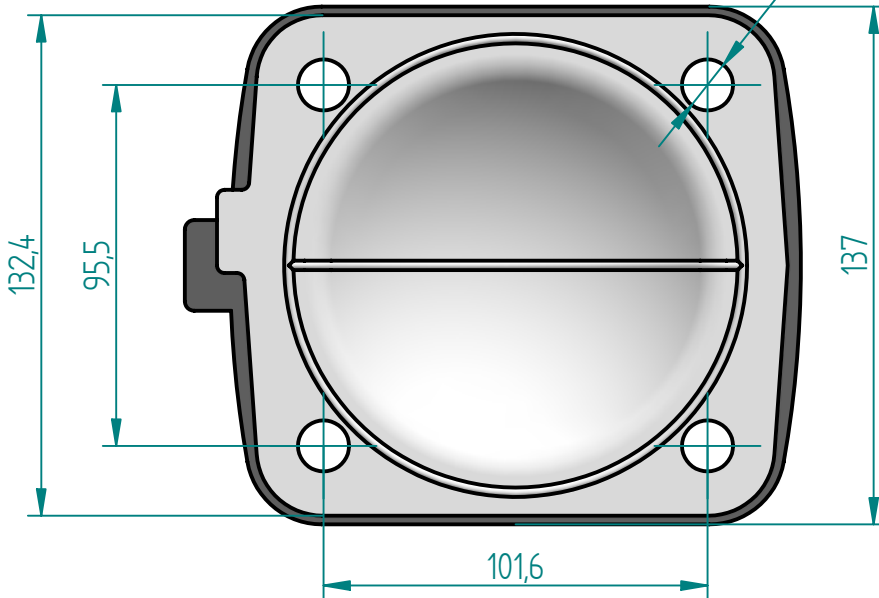
ϕ 14 (4 Holes)



ϕ 7,94

ϕ 2,5

ϕ 135 (4 Holes)



132,4

95,5


101,6

137

Replacement Diaphragm for :-

OEM PART = 2.500-P2

USED ON 2.5" (DN65) Diaphragm Valve

	NAME	DATE	 DIAPHRAGM DIRECT	
DRAWN	M. MC KEON	08/21/14		
CHECKED			TITLE	
Material - EPDM BACKING TFM-DIAPHRAGM			DD25-STFM	
			SIZE A	FOOT PRINT DIMENSIONS
Complies with CFR 177.2600 and Conforms to USP Class VI Biological Reactivity Tests Section #87 and #88			FILE NAME: DD25-STFM.dft	
SCALE: 1:2 (mm)		ECO:0605	SHEET 1 OF 1	

Disclaimer - Diaphragm Direct® does not manufacture, represent, nor sell OEM valves or diaphragms manufactured by any other company. Diaphragm Direct® brand diaphragms are not sponsored by any other manufacturers. Any name, model, part number, brand, image, material or referral is for descriptive purposes only. Diaphragm Direct® brand replacement diaphragms are guaranteed to fit OEM equipment and meet or exceed OEM specifications. Diaphragm Direct® brand replacement diaphragms are covered by the standard Diaphragm Direct® limited product warranty.