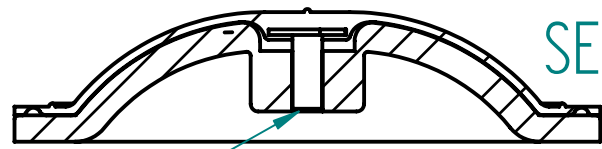
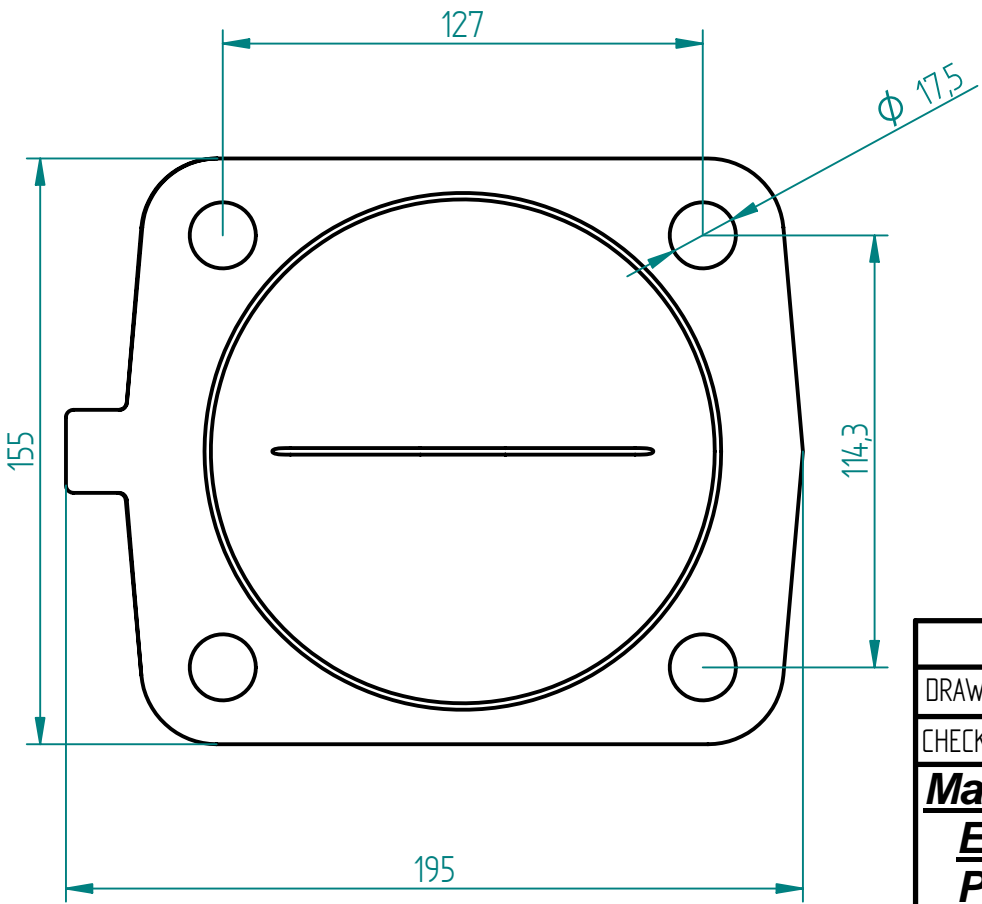
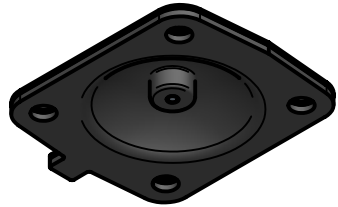
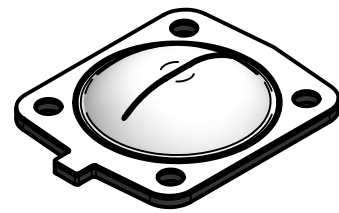


REVISION HISTORY			
REV	DESCRIPTION	DATE	APPROVED



SECTION A-A

5/16" - 18 UNC (INSERT SCREW)



Replacement Diaphragm for :-  
 OEM PART = 600080-M-5E  
 USED ON 3" (DN80) Diaphragm Valve

	NAME	DATE
DRAWN	M. MC KEON	08/31/14
CHECKED		



**Material -**  
**EPDM BACKING**  
**PTFE - DIAPHRAGM**

TITLE  
**DD30-GTFM-E**

Complies with CFR 177.2600  
 and Conforms to  
 USP Class VI Biological Reactivity  
 Tests Section #87 and #88

SIZE A	<b>FOOT PRINT DIMENSIONS</b>	REV B
FILE NAME: DD30-GTFM-E.dft		
SCALE: 1 : 1	ECO:0605	SHEET 1 OF 1

Disclaimer - Diaphragm Direct® does not manufacture, represent, nor sell OEM valves or diaphragms manufactured by any other company. Diaphragm Direct® brand diaphragms are not sponsored by any other manufacturers. Any name, model, part number, brand, image, material or referral is for descriptive purposes only. Diaphragm Direct® brand replacement diaphragms are guaranteed to fit OEM equipment and meet or exceed OEM specifications. Diaphragm Direct® brand replacement diaphragms are covered by the standard Diaphragm Direct® limited product warranty.